

### SEALED & UNSEALED

The U7 series pendant switches are rugged, high performance pendant switches designed for use under severe conditions found in medical, appliance, heavy equipment and industrial control applications.

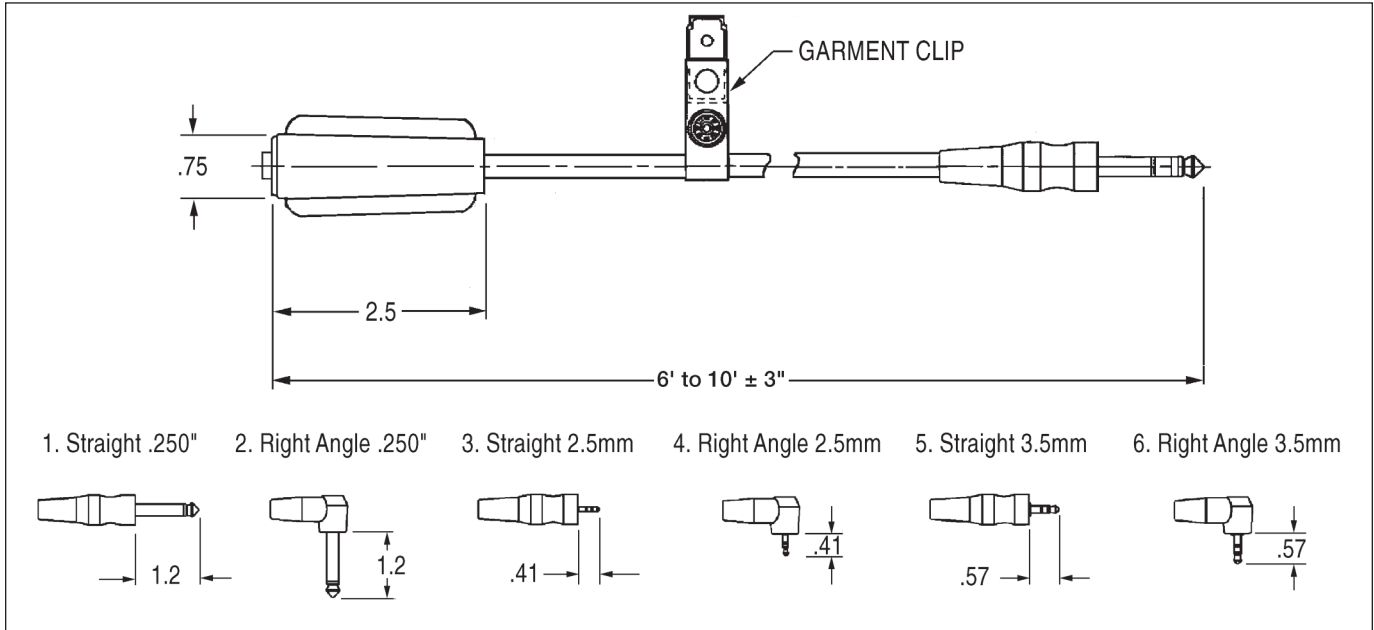
The U7 series is offered in single and dual switch configurations with single plugs. Connector options include straight and right angle mono plugs in 1/4", 2.5mm and 3.5mm sizes. Cable options include 0.250" diameter for 60.0 lbs. pull strength, 0.130" diameter cable for 25.0 lbs. pull strength, and 0.102" diameter cable for 15.0 lbs. pull strength. Cables are available in a choice of five colors.

### Features:

- **Durable cables available in a choice of colors**
- **Switches logic level circuits**
- **Choice of button, bezel & handle colors**
- **Choice of six plug types**
- **Withstands extreme shock & vibration**
- **Available in sealed & unsealed versions**
- **RoHS & WEEE compliant**



SEALED & UNSEALED



### How To Specify An OTTO Part Number For U7 Series Pendant Switches:

Select the options available and use the code to build a pendant switch assembly part number. For example: a single pendant with 6' cable (1), moistureproof seal (2), black button (2), red bezel (1), black handle (2), 0.250" diameter cable (1), black cable outer jacket overmold (2), and 0.250" right angle mono plug (2) would have a complete part number of U712212122.

### PENDANT PART NUMBER CODE

	U7	X	X	X	X	X	X	X	X
	Pendant Style	Seal Type	Button Color	Bezel Color	Handle Color	Cable Dia.	Cable Color	Connector Dia./Style	
1.	Single Pendant, Single Plug, 6' Length	1. Unsealed	1. Red	1. Red	1. Beige	1. 0.250" Dia., 60.0 lbs. Pull Strength	1. Beige	1. 0.250" Straight Mono Plug	
2.	Dual Pendant, Single Plug, 6' Length	2. Moistureproof and Dusttight	2. Black	2. Black	2. Black	2. 0.130" Dia., 25.0 lbs. Pull Strength	2. Black	2. 0.250" Right Angle Mono Plug	
3.	Single Pendant, Single Plug, 10' Length	3. Watertight	9. White	9. White	6. Blue	3. 0.102" Dia., 15.0 lbs. Pull Strength	6. Blue	3. 2.5mm Straight Mono Plug*	
4.	Dual Pendant, Single Plug, 10' Length				8. Gray		8. Gray	4. 2.5mm Right Angle Mono Plug*	
					9. White		9. White	5. 3.5mm Straight Mono Plug*	
								6. 3.5mm Right Angle Mono Plug*	

\* 2.5mm and 3.5mm plugs not available in 0.250" diameter cable.

NOTE: For standard colors, cables and connectors, contact factory. Significant order minimums and lead times required for some options.