

## POSITIVE ACTION NON-TEASIBLE TOGGLE

The TE series is a MIL qualified, snap-action, non-teasible, positive make and break, panel mount toggle switch.

The non-teasible mechanism assures that the switch will actuate and not "hang up" even when actuated very slowly. A fluorosilicone O-ring seals the contact area from contaminants such as dust, moisture and sand. All metal components are corrosion resistant and designed to exceed all military requirements.

This environmentally sealed switch is available in single and double pole configurations with 15/32 or 1/4-40 bushings. The TE series is ideal in applications for dry circuit, low level and power switching applications.

### Features:

- Positive action miniature toggle
- Wiping action contacts
- Momentary & maintained toggle action
- Panel mount
- Solder lug termination
- Single & double pole
- Sealed per MIL-DTL-8834
- MIL qualified MS90310-211/221/231/271/311  
MS90311-211/221/231/271/311  
MS24655-211/221/231/271/311  
MS24656-211/221/231/271/311/331/341/351
- RoHS & WEEE compliant



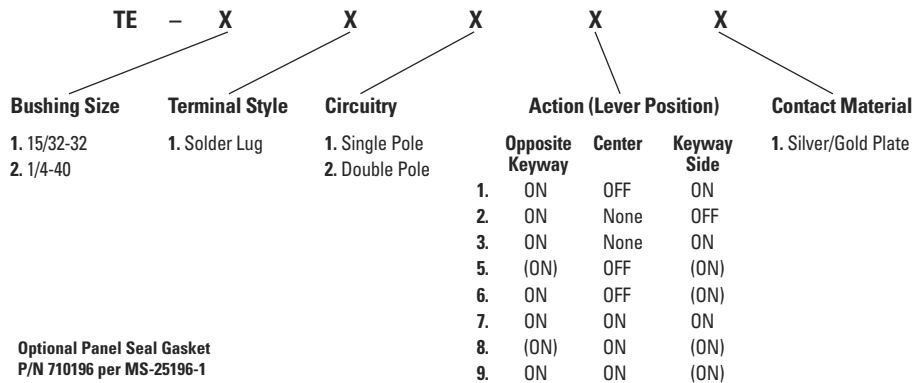
1/4-40 Bushing Style



15/32-32 Bushing Style

Standard Characteristics/Ratings:				
<b>ELECTRICAL RATINGS:</b>				
Load	Sea Level @ 28VDC	Sea Level @ 115VAC, 60Hz	Sea Level @ 115VAC, 400Hz	Sea Level Low Level @ 5mV
Resistive	5A	2A	3A	25mA
Inductive	1A	1A	2A	25mA
<b>Electrical Life:</b>	20,000 cycles			
<b>Mechanical Life:</b>	40,000 cycles			
<b>Seal:</b>	Per MIL-DTL-8834			
<b>Operating Temp Range:</b>	-55°C to +71°C			
<b>MATERIALS:</b>				
<b>Handle:</b>	Stainless steel with lusterless finish			
<b>Bushing:</b>	Aluminum alloy (15/32) or stainless steel (1/4-40)			
<b>Cover:</b>	Stainless steel			
<b>Mounting Hardware:</b>	Hex nuts, lockwasher and keyway washer Silicone seal when applicable			

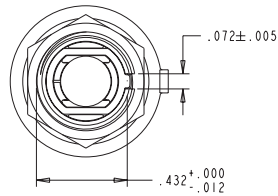
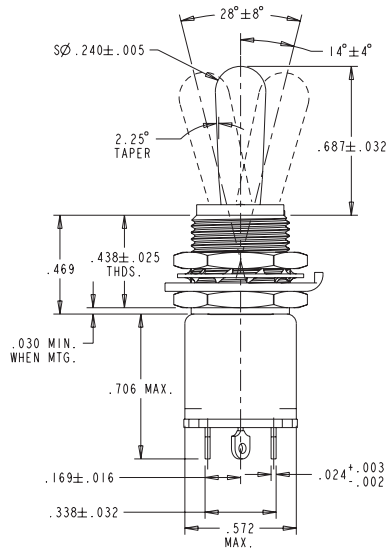
### TE PART NUMBER CODE



NOTE: ( ) denotes momentary action.

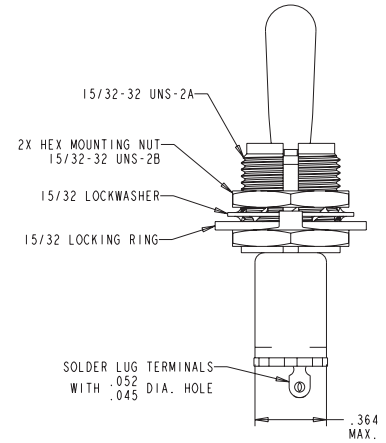
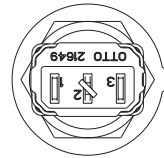
## POSITIVE ACTION NON-TEASIBLE TOGGLE

### TE-111 15/32-32, Single Pole MS90310

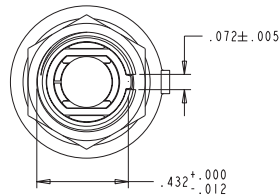
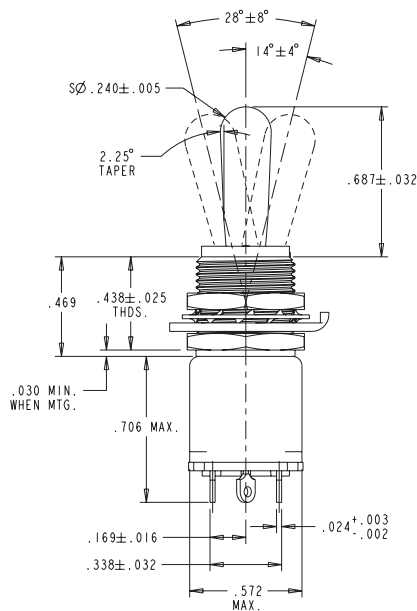


CIRCUITS MADE WITH LEVER IN THESE POSITIONS:				
	Opposite Keyway	Center	Keyway	MS Dash Number
1.	ON 2-3	OFF	ON 1-2	-211
2.	ON 2-3	None	OFF	-221
3.	ON 2-3	None	ON 1-2	-231
5.	(ON) 2-3	OFF	(ON) 1-2	-271
6.	ON 2-3	OFF	(ON) 1-2	-311

NOTE: ( ) denotes momentary action.

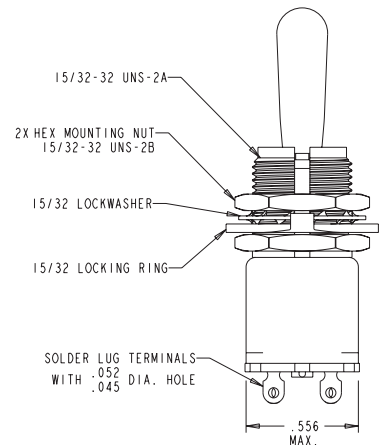
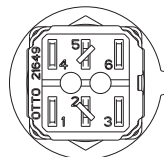


### TE-112 15/32-32, Double Pole MS90311



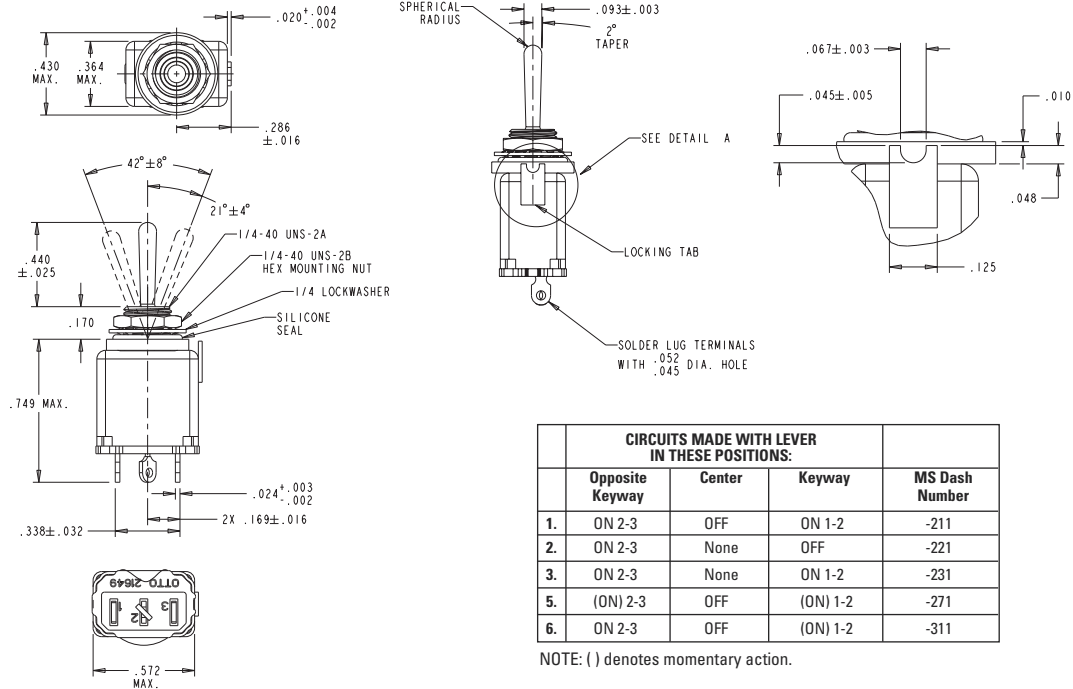
CIRCUITS MADE WITH LEVER IN THESE POSITIONS:				
	Opposite Keyway	Center	Keyway	MS Dash Number
1.	ON 2-3, 5-6	OFF	ON 1-2, 4-5	-211
2.	ON 2-3, 5-6	None	OFF	-221
3.	ON 2-3, 5-6	None	ON 1-2, 4-5	-231
5.	(ON) 2-3, 5-6	OFF	(ON) 1-2, 4-5	-271
6.	ON 2-3, 5-6	OFF	(ON) 1-2, 4-5	-311

NOTE: ( ) denotes momentary action.



POSITIVE ACTION NON-TEASIBLE TOGGLE

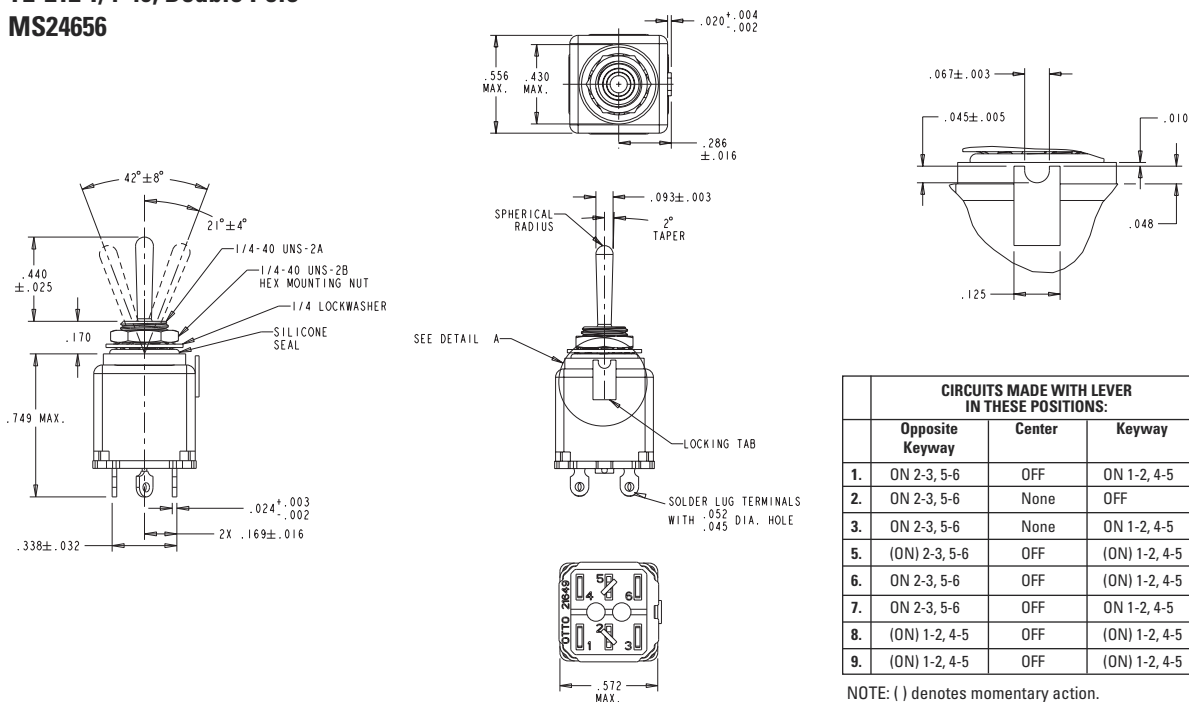
**TE-211 1/4-40 Bushing, Single Pole  
MS24655**



CIRCUITS MADE WITH LEVER IN THESE POSITIONS:				
	Opposite Keyway	Center	Keyway	MS Dash Number
1.	ON 2-3	OFF	ON 1-2	-211
2.	ON 2-3	None	OFF	-221
3.	ON 2-3	None	ON 1-2	-231
5.	(ON) 2-3	OFF	(ON) 1-2	-271
6.	ON 2-3	OFF	(ON) 1-2	-311

NOTE: ( ) denotes momentary action.

**TE-212 1/4-40, Double Pole  
MS24656**



CIRCUITS MADE WITH LEVER IN THESE POSITIONS:				
	Opposite Keyway	Center	Keyway	MS Dash Number
1.	ON 2-3, 5-6	OFF	ON 1-2, 4-5	-211
2.	ON 2-3, 5-6	None	OFF	-221
3.	ON 2-3, 5-6	None	ON 1-2, 4-5	-231
5.	(ON) 2-3, 5-6	OFF	(ON) 1-2, 4-5	-271
6.	ON 2-3, 5-6	OFF	(ON) 1-2, 4-5	-311
7.	ON 2-3, 5-6	OFF	ON 1-2, 4-5	-331
8.	(ON) 1-2, 4-5	OFF	(ON) 1-2, 4-5	-341
9.	(ON) 1-2, 4-5	OFF	(ON) 1-2, 4-5	-351

NOTE: ( ) denotes momentary action.