

TC-5 SWITCH MODULE

The TC-5 is a self contained 5 position, sealed switch module. It can be used in a myriad of applications that require a compact switch module and long life. At slightly over an inch in diameter, it can be used in a grip, front panel, or hand held device, just to name a few applications. It is available in either a top mount or rear mount.

The TC-5 is slightly over an inch in diameter and can be front or rear mounted in a grip or front panel.

The advantage of the TC-5 is that it incorporates keypad functionality within a very small footprint. Standard or custom legends are available and can be LED backlit.

Standard termination options include flying leads, ribbon cable (with or without AMP connector) or FPC.

Tested to three million cycles, the TC-5 has an operating temperature range of -40°C to 85°C and it is sealed to IP68S.

Applications include:

- construction
- agriculture
- industrial
- material handling
- medical

The TC-5 can be used in panel or grip applications and is especially useful in cursor control or data entry applications.

Like all Otto products, it is built to withstand the rigors of the most demanding applications.



TC-5 Top Mount with Legends & FPC



TC-5 Top Mount with Flying Leads



TC-5 Rear Mount Top View

Standard Characteristics/Ratings:	
ELECTRICAL RATINGS:	3-32VDC @ Sea Level
Load	10-100mA Resistive
Electrical Life:	3,000,000 Cycles
Mechanical Life:	3,000,000 Cycles
Seal:	IP68S
Operating Temp Range:	-40°C to +85°C
Operating Force:	1.0 +/- 0.5 lb. (standard force)
MATERIALS:	
Case:	PBT
Button:	Silicone Rubber
Terminal Hardware:	None provided
Mounting Hardware:	Adhesive tape, 3M vhb tape #4926

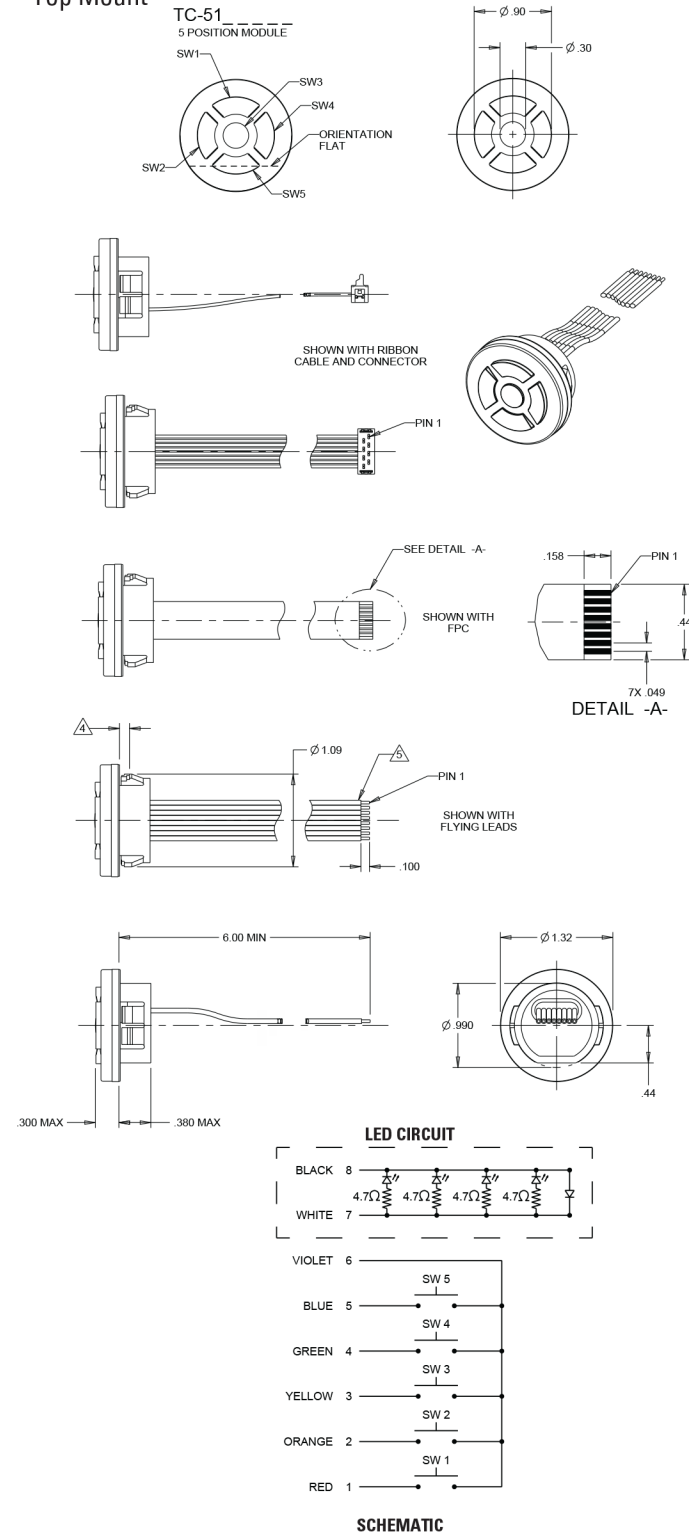
TC-

Position X	Mounting X	Termination X	Backlight X	Color X	Legend X	Not Used X
1 = 1 position 2 = 2 position 3 = 3 position 4 = 4 position 5 = 5 position	1 = Front 2 = Behind Panel	1 = FPC 2 = Flying Leads 3 = Ribbon Cable 4 = Ribbon Cable w/ AMP Connector	N = None A = White	2 = Black	None A = Arrows* * Color = White	



TC-5

Switch Module Top Mount



TC-5

Switch Module Rear Mount

