

## LOW COST TOGGLE FOR WET & DUSTY ENVIRONMENTS

These toggle switches are rugged, high performance sealed switches designed for use under severe conditions found in heavy equipment, industrial control, marine and appliance applications. They are totally sealed so the switch can withstand direct water spray and submersion, even during operation. They are designed to meet the international submersion specification level IP68S. OTTO's front panel seal is accomplished with an O-ring under the bat handle. However, now a secondary visible bushing seal is offered as an option.

T7 toggles are offered in single and double pole configurations. A choice of models are offered to handle power levels to 16 amps, 0.5HP and low level electronic switching applications.

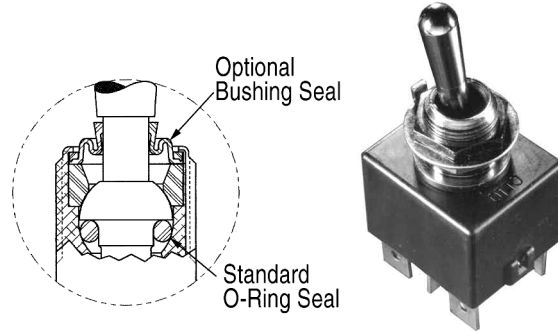
These toggles feature positive detent action for safe switching operation. In conjunction with the unique OTTO snap-action switch mechanism, the T7 offers non-teasible contact transfer.

High contact pressure and superior contact wiping action of the OTTO design makes the T7 an excellent choice for switching loads from logic level up to 16 amps.

Mounting hardware provided includes two hex nuts, one lockwasher and one keyway washer. An optional panel gasket is also available, see panel seals located in the hardware section of this catalog.

### Features:

- Withstands direct water spray
- Submersible to IP68S
- Switches up to 16 amps
- Withstands extreme shock & vibration
- Positive detent, non-teasible contact transfer
- 2 & 3-position, momentary & maintained action
- Choice of terminal styles
- UL & CSA recognized
- RoHS & WEEE compliant



### Standard Characteristics/Ratings:

#### ELECTRICAL RATINGS:

Load	Sea Level @ 28VDC or 115VAC	Cycles
Resistive	16A	25,000
Resistive	10A	50,000
Inductive	10A	25,000
Motor	0.5HP	25,000
DWV	1050Vrms	N/A
Low Level	10mA max @ 30mV max DC Resistive for 50,000 cycles	

Electrical Life: See Rating Chart

Mechanical Life: 100,000 cycles

Seal: IP68S

Operating Temp Range: -30°C to +85°C

#### MATERIALS:

Case: Thermoplastic

Bushing: Anodized aluminum alloy

Toggle: Stainless steel

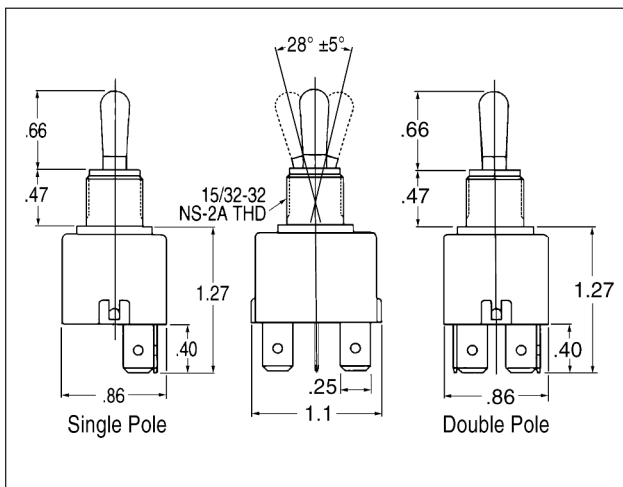
Terminals: Brass

Contacts: Fine silver/silver cadmium oxide

Low Level: Gold flash/silver plate

Terminal Hardware: 6-32 screw when applicable  
T7 recommended Quick Connect terminals:  
AMP 60253-2 for 12-16 AWG  
AMP 42100-2 for 14-18 AWG

Mounting Hardware: Hex nuts, lockwasher, non-turn washer



### T7 PART NUMBER CODE

T	7	-	X	X	X	X	X
Circuitry	Terminal Style	Contact Rating	Circuit Made With Actuator At:			Toggle Style	Button Color*
1. 1 Pole 2. 2 Pole	1. 250° Q.C. 2. Screw 3. Solder 4. PC Pin (consult factory)	1. Std. 2. Low Level	Keyway Side	Center	Opposite Keyway	1. Bat Handle 2. Lever Lockout (consult factory) 3. Dome Button 4. Rocker Button 5. Bat Handle With Bushing Seal	1. Red 2. Black 3. Orange 4. Yellow 5. Green 6. Blue 7. Purple 8. Gray 9. White
			A. ON B. ON C. (ON) D. (ON) E. (ON) F. ON G. (ON) H. OFF J. OFF K. ON	None None None None OFF OFF None None None OFF	OFF ON OFF ON (ON) ON ON ON (ON) (ON)		

NOTE: ( ) denotes momentary action.

\* Only applicable to Toggle Styles 3 & 4; otherwise omit.

T7 Connector P/N C801765