

4-WAY MOMENTARY TOGGLE WITH TACTILE RESPONSE

Tactile switches remain a favorite among design engineers because the positive detent indicates circuit transfer to the operator. The T4-T toggle switch provides a 4-way momentary toggle action with detent providing a positive click action. The T4-T series provides Commercial and Military grade switching with a positive click action, ideal for grip applications in aircraft and off-road equipment.

Features:

- **Positive detent**
- **4-way momentary toggle action**
- **Positive click action**
- **Low level switching**
- **Water resistant per MIL-STD-810F; method 506.4, procedure 3 (drip)**
- **Available in Commercial & Military grades**
- **Variety of button styles & colors available**



Standard Characteristics/Ratings:

ELECTRICAL RATINGS:

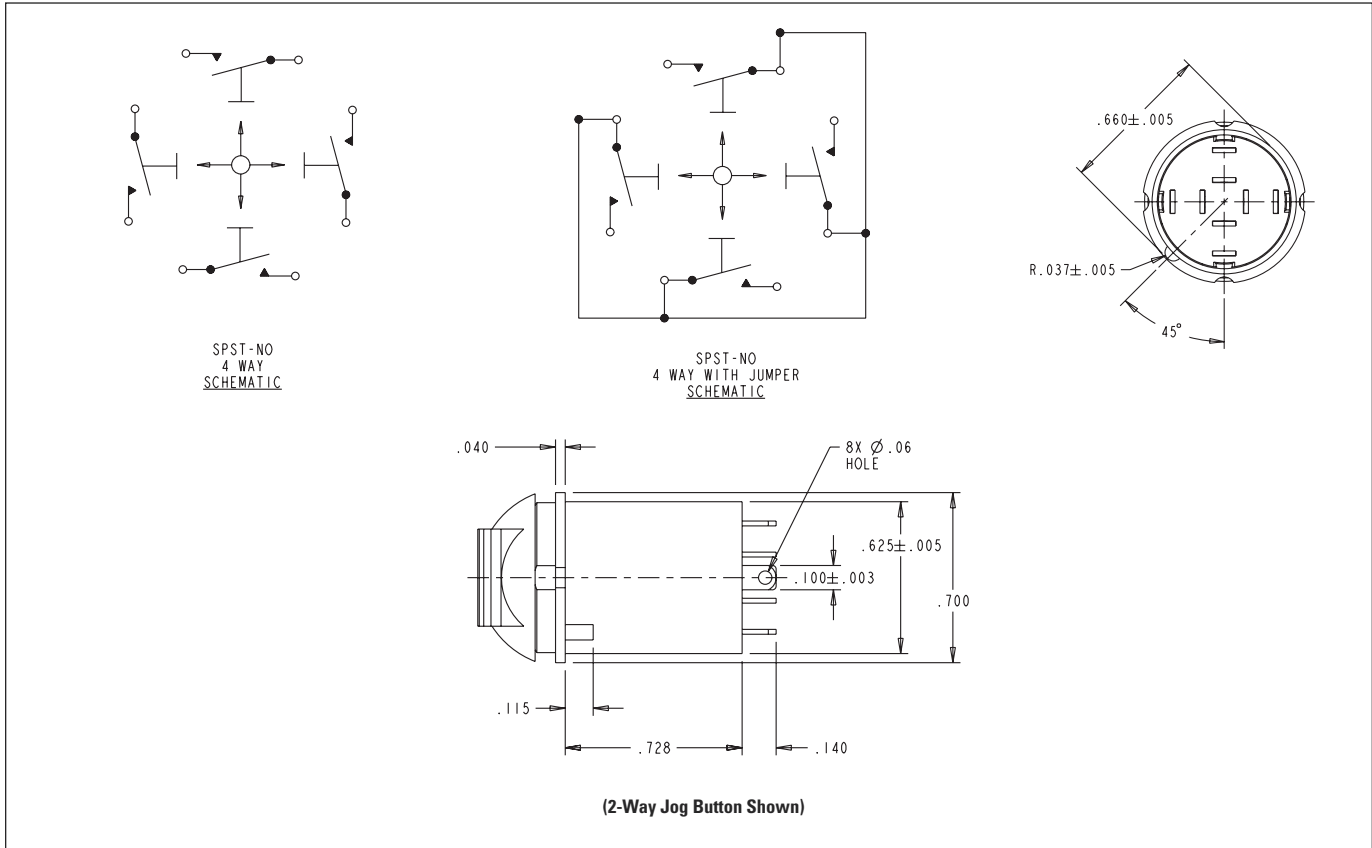
Load	Sea Level @ 28VDC
Resistive	2A
Inductive	1A
DVV	1050Vrms
Low Level	10mA @ 30mV

Electrical Life:	100,000 cycles
Mechanical Life:	500,000 cycles
Seal:	Water resistant per MIL-STD-810F, method 506.4, procedure 3 (drip)
Operating Temp Range:	-55°C to +85°C
Operating Force:	0.75 lb. +/- 0.25 lb.
Overtravel:	1.5° min
Pretravel:	9.5° max
Return Point:	4° min

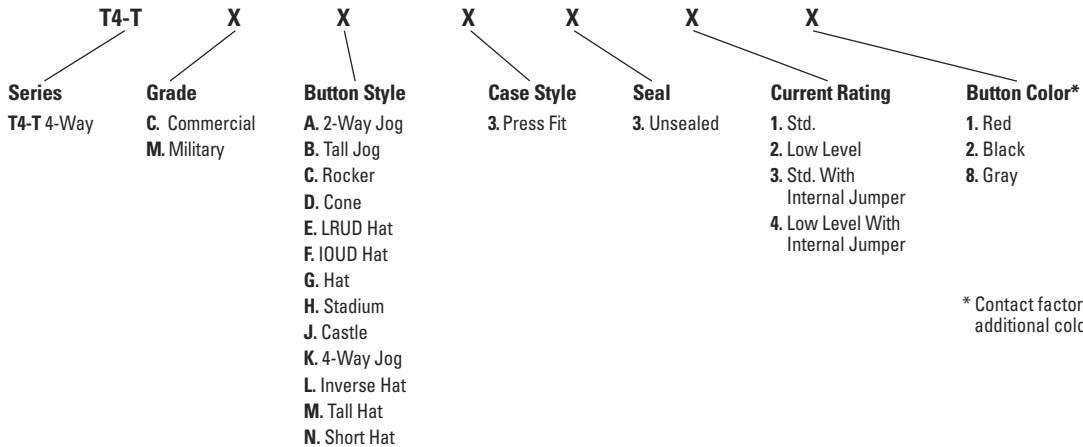
MATERIALS:

Case:	Glass filled polyester black
Button:	Nylon
Terminals:	Silver
Mounting Hardware:	None provided

4-WAY MOMENTARY TOGGLE WITH TACTILE RESPONSE



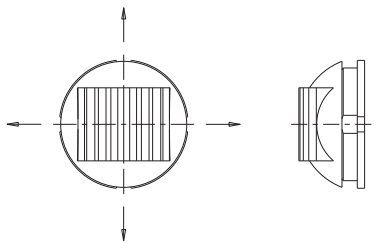
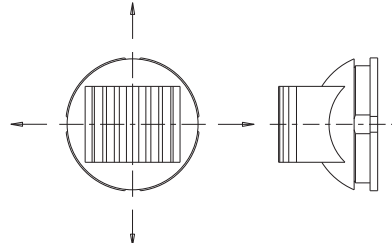
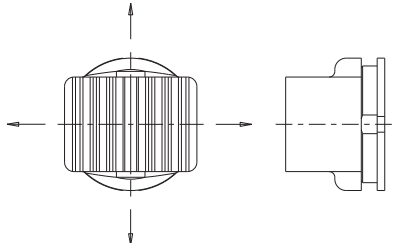
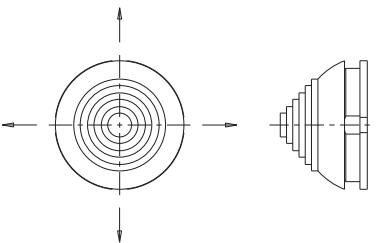
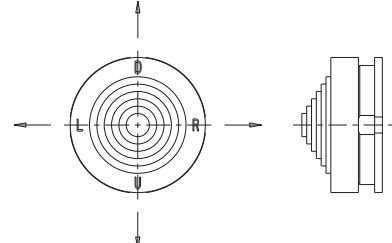
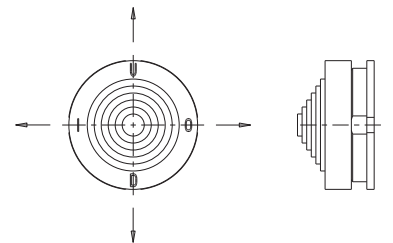
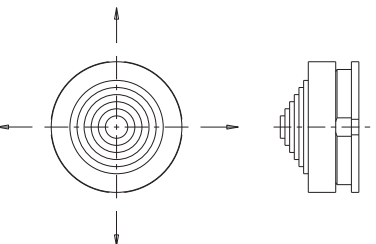
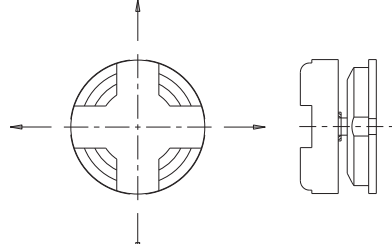
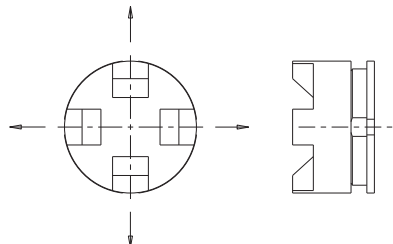
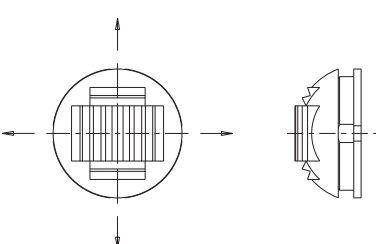
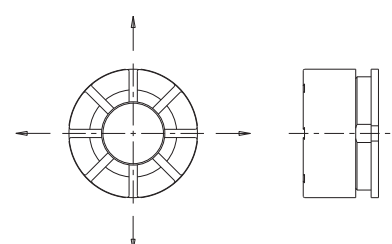
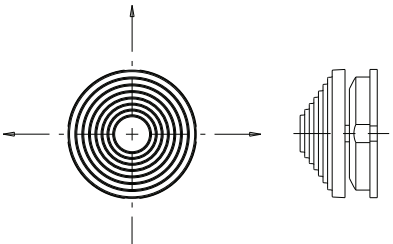
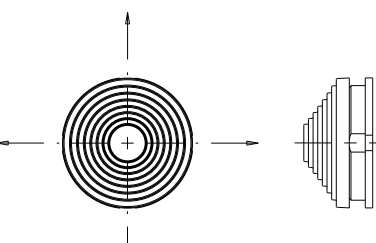
T4-T PART NUMBER CODE



T4-T BUTTON STYLES

T4-T
TACTILE
MINI TRIM

4-WAY MOMENTARY TOGGLE WITH TACTILE RESPONSE

<p>A - 2-WAY JOG</p> 	<p>B - TALL JOG</p> 	<p>C - ROCKER</p> 
<p>D - CONE</p> 	<p>E - LRUD HAT</p> 	<p>F - IOUD HAT</p> 
<p>G - HAT</p> 	<p>H - STADIUM</p> 	<p>J - CASTLE</p> 
<p>K - JOG</p> 	<p>L - INVERSE HAT</p> 	<p>M - 4-WAY TALL HAT</p> 
<p>N - 4-WAY SHORT HAT</p> 		

TRIM SWITCHES