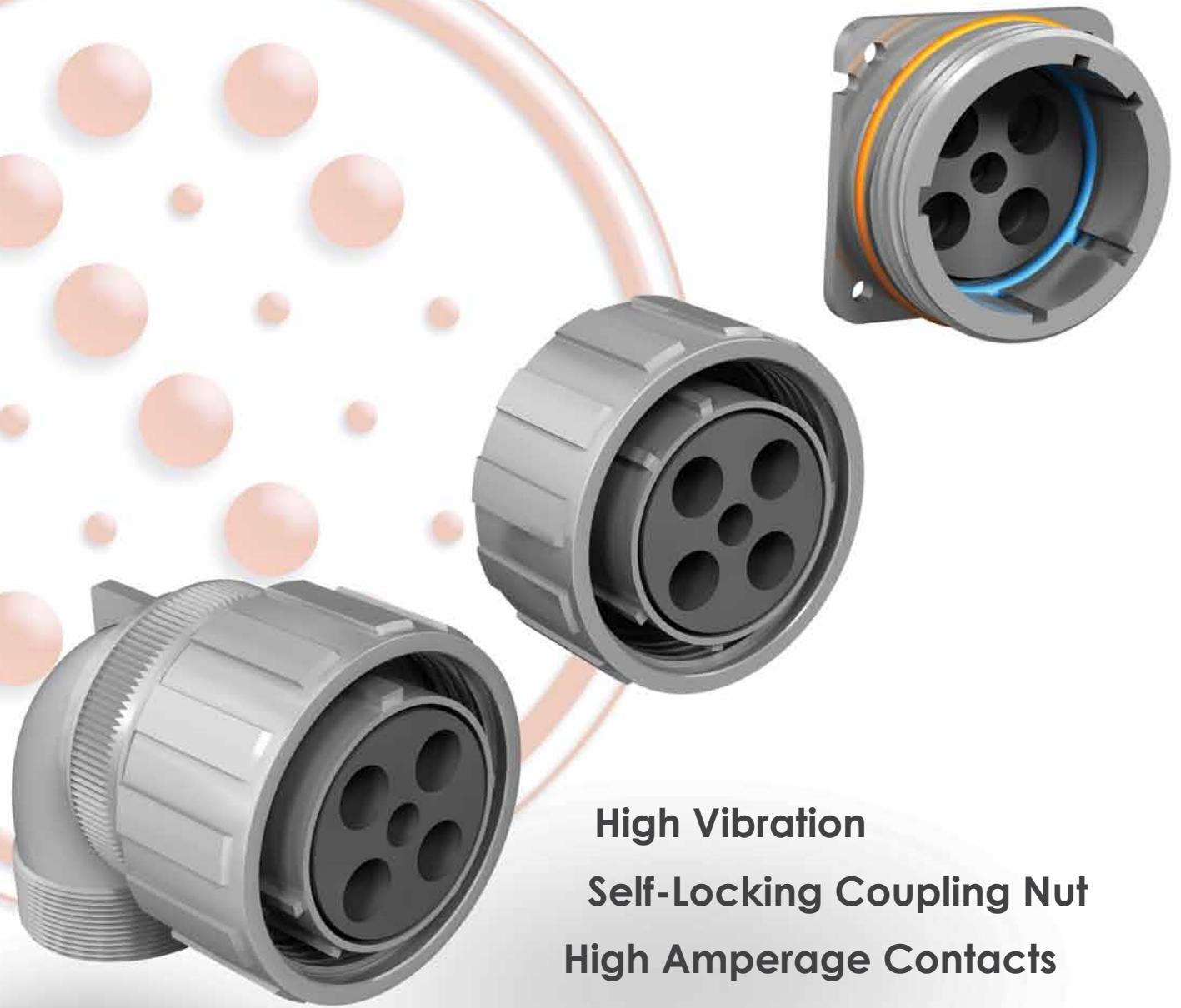


SPACECRAFT COMPONENTS CORP.

S e r v i n g C o n n e c t o r U s e r s S i n c e 1 9 6 2

SecureSeal

SCDSR SERIES CONNECTORS



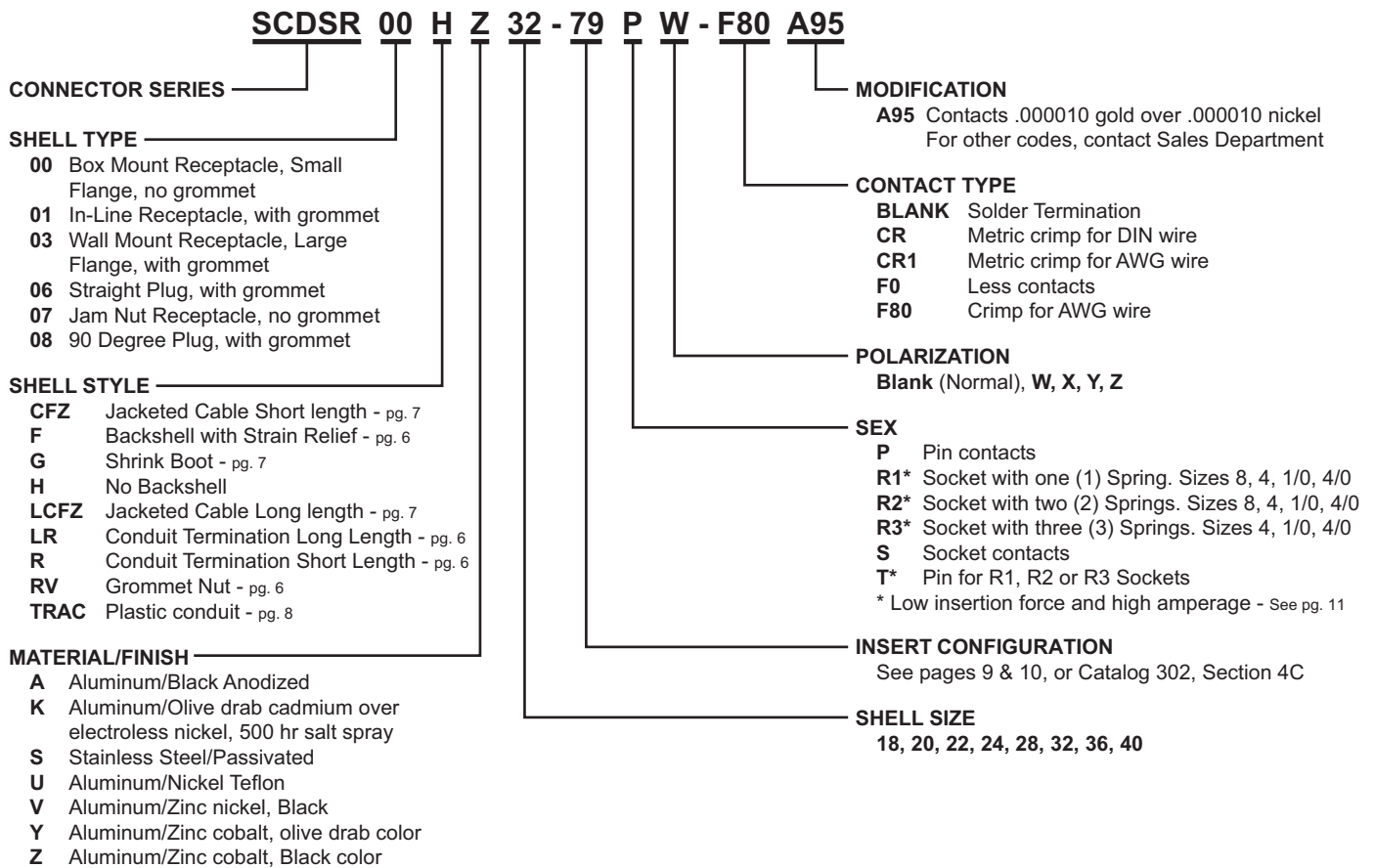
High Vibration
Self-Locking Coupling Nut
High Amperage Contacts
Dust & Sand Resistant



SPACECRAFT
COMPONENTS CORP.

SCDSR SERIES

ORDERING INFORMATION



This Series of connectors was designed to meet the rugged requirements for ground/army applications

Some of the features are:

- ▶ High vibration tolerance.
- ▶ A self-locking coupling nut for the double-start Acme thread coupling nuts which eliminates the need for safety wiring.
- ▶ A unique shell sealing system that inhibits dust and sand from entering the connectors.
- ▶ The 5-keyway shell system adds stability to the connectors in a mated condition, contributing to their rugged environment performance.
- ▶ Inserts are made with a low smoke, self-extinguishing, halogen-free elastomeric material.
- ▶ Connectors have passed a six-foot water immersion test.
- ▶ Contact sizes 20, 18, 16, 12, 8, 4, 1/0 & 4/0 are available.
- ▶ Low insertion force, high amperage socket contacts are available in sizes 8, 4, 1/0 & 4/0.
- ▶ Shell sizes 18 thru 40 are available.



LOW INSERTION FORCE & HIGH AMPERAGE CONTACTS

R10 - 85 00 - 140

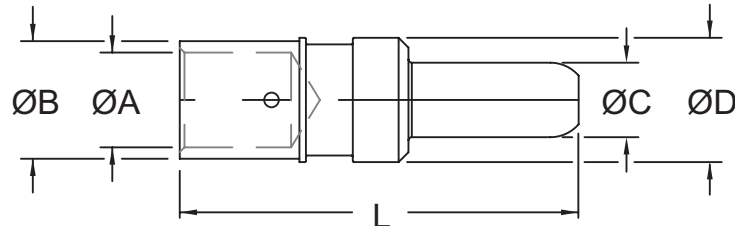
SERIES PREFIX
R10 MIL-DTL-5015 Series I Crimp or Reverse Bayonet Pin Contact

MATERIAL/FINISH
110 Copper/Silver
140 Copper/Gold
142 Copper/Gold 0.00030

CONTACT SIZE

CODE	79	85	92	97
SIZE	8	4	1/0	4/0

WIRE RANGE
See Table below



MATERIAL: Copper
FINISH: Silver

CONNECTOR ORDERING CODE	PIN PART NUMBER	SIZE	FOR WIRE SIZE		RATING	ØA		ØB		ØC		ØD		L	
			AWG	MM ²											
T	R12-7900-110	8	8	9.0	100 Amps	.177	<i>4.50</i>	.272	<i>6.90</i>	.127	<i>3.23</i>	.307	<i>7.80</i>	1.603	<i>40.70</i>
T	R12-8500-110	4	4	22.0	168 Amps	.281	<i>7.15</i>	.375	<i>9.50</i>	.225	<i>5.70</i>	.433	<i>11.00</i>	1.625	<i>41.25</i>
T	R10-9200-110	1/0	1/0	53.0	304 Amps	.453	<i>11.50</i>	.565	<i>14.35</i>	.357	<i>9.07</i>	.595	<i>15.11</i>	1.926	<i>46.50</i>
T	R10-9798-110	4/0	4/0	107.0	500 Amps	.650	<i>16.50</i>	.787	<i>20.00</i>	.550	<i>13.97</i>	.787	<i>20.00</i>	2.456	<i>62.38</i>

DIMENSIONS IN *ITALICS* ARE INCHES.

T10 - 85 00 - 140 - 1

SERIES PREFIX
T10 MIL-DTL-5015 Series I crimp or Reverse Bayonet Socket Contact

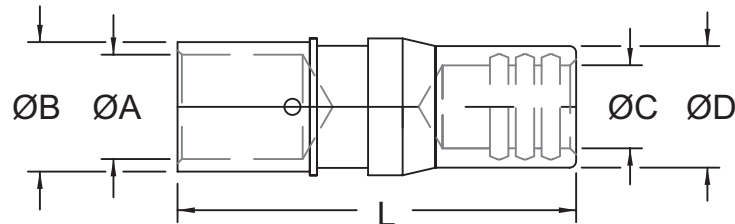
MODIFICATION
1 = 1 Spring Sizes 8, 4, 1/0, 4/0
2 = 2 Springs Sizes 8, 4, 1/0, 4/0
3 = 3 Springs Sizes 4, 1/0, 4/0

CONTACT SIZE

CODE	79	85	92	97
SIZE	8	4	1/0	4/0

MATERIAL/FINISH
110 Copper/Silver
140 Copper/Gold
142 Copper/Gold 0.00030.
* Applies only to socket contacts sizes 8, 4, 1/0 and 4/0.

WIRE RANGE
See Table below



MATERIAL: Copper
FINISH: Silver

CONNECTOR ORDERING CODE	SOCKET PART NUMBER	SIZE	FOR WIRE SIZE		SPRINGS	RATING	ØA		ØB		ØC		ØD		L	
			AWG	MM ²												
R1	T10-7900-110-1	8	8	9	1	46 Amps	0.177	<i>4.50</i>	0.272	<i>6.90</i>	0.130	3.3	0.265	6.73	1.590	<i>40.39</i>
R2	T10-7900-110-2				2	73 Amps										
R3	T10-7900-110-3				3	85 Amps										
R1	T10-8500-110-1	4	4	22	1	80 Amps	0.281	<i>7.15</i>	0.375	<i>9.50</i>	0.235	<i>5.97</i>	0.335	<i>8.51</i>	1.575	<i>40.00</i>
R2	T10-8500-110-2				2	135 Amps										
R3	T10-8500-110-3				3	168 Amps										
R1	T10-9200-110-1	1/0	1/0	53	1	150 Amps	0.453	<i>11.5</i>	0.565	<i>14.35</i>	0.368	<i>9.35</i>	0.532	<i>13.51</i>	1.730	<i>43.94</i>
R2	T10-9200-110-2				2	245 Amps										
R3	T10-9200-110-3				3	304 Amps										
R1	T10-9795-110-1	4/0	4/0	107	1	225 Amps	0.650	<i>16.5</i>	0.787	<i>20.00</i>	0.560	<i>14.22</i>	0.750	<i>19.05</i>	2.350	<i>59.69</i>
R2	T10-9795-110-2				2	350 Amps										
R3	T10-9795-110-3				3	500 Amps										

DIMENSIONS IN *ITALICS* ARE INCHES.



INSERT CONFIGURATIONS BY SHELL SIZE (CONT.)

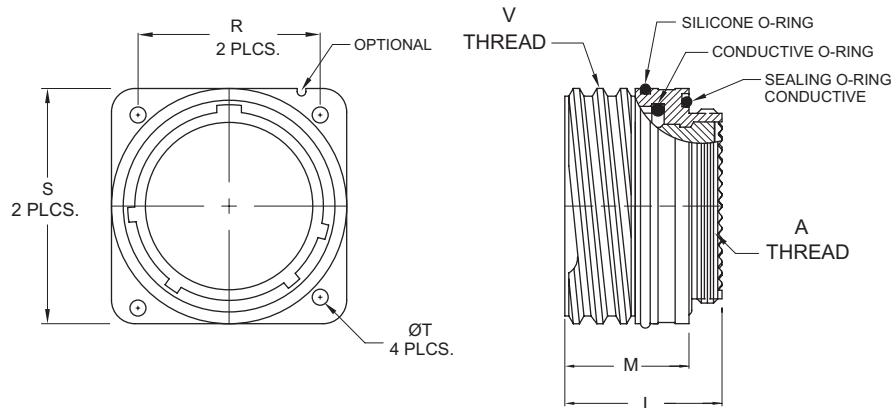
INSERT NUMB.	CONTACTS							ALTERNATE POSI-TIONS (Degrees)				
	TOTAL	SIZE						W	X	Y	Z	
		#20	#18	#16	#12	#8	#4					#0
24-80												
28-1†	9			6	3		80	110	250	280		
28B1	1					1	-	-	-	-		
28-2†	14		12	2			35	110	250	325		
28-3†	3				3		70	145	215	290		
28-4†	9		7	2			80	110	250	280		
28-5†	5		2	1		2	35	110	250	325		
28-6‡	3					3	70	145	215	290		
28-7†	2					2	35	110	250	325		
28-8†	12		10	2			80	110	250	280		
28-9†	12		6	6			80	110	250	280		
28A9	9		5			4	110	250	260	280		
28-10†	7			3	2	2	80	110	250	280		
28-11†★	22		18	4			80	110	250	280		
28-12†	26		26				90	180	270	-		
28-14‡	11		11				80	110	250	280		
28-15†	35		35				80	110	250	280		
28-16‡	20		20				80	110	250	280		
28-17†	15		15				80	110	250	280		
28-18†	12		12				70	145	215	290		
28-19†	10		6	4			80	110	250	280		
28-20†★	14		4	10			80	110	250	280		
28-21†★	37		37				80	110	250	280		
28-22†	6		3			3	70	145	215	290		
28A29	29		27			2	80	110	250	280		
28A31	31		25			6	-	-	-	-		
28A35	35		35				80	110	250	280		
28-51	12			12			80	135	195	-		
28A55	29		29				-	-	-	-		
28A63★	28		19	9			-	100	260	-		
32-1†★	5			3			80	110	250	280		
32A1	1	1 Each Size 4/0 Contact							-	-	-	-
32-2†	5		2			3	70	145	215	290		
32-3†★	9		4	2		2	1	80	110	250	280	
32A3	3					3	22	44	75	-		
32-4‡	14		12	2			80	110	250	280		
32-5‡	2						2	35	110	250	325	
32-6†★	23		16	2	3	2	80	110	250	280		
32-7†★	35		28	7			80	125	235	280		
32-8‡	30		24	6			80	125	235	280		
32-9†	14		12			2	80	110	250	280		
32-10‡	7		3		2	2	80	110	250	280		
32-12‡	15		10	5			80	110	250	280		
32-13†	23		18	5			80	110	250	280		
32A13	13			13			65	130	230	295		
32-14‡	7			5		2	35	110	250	325		
32-15†	8		6			2	35	110	250	280		
32-17†	4					4	45	110	250	-		
32-22†★	54		54				80	110	250	280		
32B22	22		20			2	35	110	250	325		
32A25	25			25			60	120	-	-		
32A27	27		17	10			30	115	285	335		
32A30	30		20	10			-	-	-	-		
32-31	31		31				-	-	-	-		
32A40	40		40				35	130	-	-		
32A48	48		48				80	-	-	-		
32-53	42		37	5			-	-	-	-		
32A55	55		55				80	110	250	280		
32-63†	5					5	-	-	-	-		
32A69★	61	41	20				-	110	250	-		

† = Military designation per MIL-STD-1651
‡ = Military designation inactive for new design.
★ = VG95234

INSERT NUMB.	CONTACTS							ALTERNATE POSI-TIONS (Degrees)					
	TOTAL	SIZE						W	X	Y	Z		
		#20	#18	#16	#12	#8	#4					#0	
36A1	1	1 Each Size 4/0 Contact							-	-	-	-	
36-1‡	22			18	4			80	110	250	280		
36-2‡	5				2			3	-	-	-		
36-3†	6				3			3	70	145	215	290	
36-4‡	3							3	70	145	215	290	
36-5†★	4							4	-	120	240	-	
36-6†★	6							4	2	35	110	250	325
36-7†	47			40	7			80	110	250	280		
36-8†	47			46	1			80	110	250	280		
36-9†	31			14	14	2	1	80	125	235	280		
36-10†★	48			48				80	125	235	280		
36-13‡	17			15	2			80	110	250	280		
36-14‡	16			6	5	5		90	180	270	-		
36-15†	35			35				60	125	245	305		
36-19‡	17			10	5		1	1	80	110	250	280	
36-20‡	34			30	2	2		-	-	-	-		
36-22	22				22			80	110	250	280		
36A22	22				22			-	-	-	-		
36A51	6				1		2	3	45	135	225	315	
36-52†	52			52				72	144	216	288		
36-54	39			31		8		-	-	-	-		
36-66†	56			52	4			110	250	260	280		
36A72	72		52	16	4			-	110	-	-		
36B78	14			2		12		-	-	-	-		
36D78	14			4		10		-	-	-	-		
40-1†	30			24	6			65	130	235	300		
40-2†	23			23				80	110	250	280		
40S2	2	2 Each Size 4/0 Contacts							-	-	-	-	
40-3†	23			18	4		1	80	110	250	280		
40A3	5				2			3	70	145	215	290	
40-4†	23			16	2	3	2	80	110	250	280		
40A4	6				2			4	50	120	240	325	
40B4	4							4	45	110	-	-	
40-5†	15				6	4	2	3	80	110	250	280	
40A5	5				1		1	3	33	-	-	270	
40B5	5							5					
40-6†	26			24	1			1	80	110	250	280	
40A6	6				6			35	110	250	280		
40-7†	22			18	2		2	80	110	250	280		
40A8	8			4			4	35	110	250	325		
40-9†	47			24	22	1		65	125	225	310		
40-10†	29			16		9	4	65	125	225	310		
40A10	8			4			4	80	135	195	-		
40-11†	25			18	4	1	1	1	80	110	250	280	
40-12‡	29			22	6			1	-	-	-	-	
40-14‡	32			21	10			1	-	-	-	-	
40B19	19					19		35	105	255	325		
40A24	24				16	8		80	120	245	300		
40A27	27				25		2	45	110	250	315		
40S27	60			60				-	-	-	-		
40-31	31				31			80	110	250	280		
40-35	35				35			70	130	230	290		
40A38	38				38			37	74	285	322		
40A51	31			16		15		-	-	-	-		
40-53	60			60				80	110	250	280		
40-56†	85			85				72	144	216	288		
40A62	62			60		2		80	130	230	280		
40-63	61			61				80	-	-	280		
40A65	65			65				70	145	215	285		
40-82	62			62				-	-	-	-		



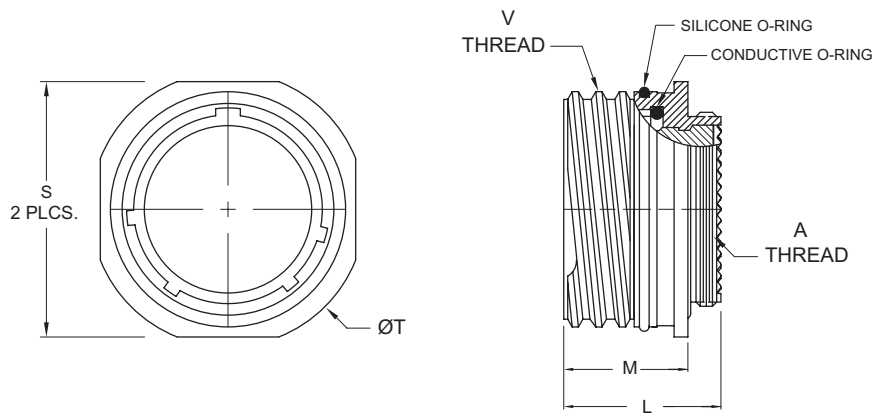
BOX MOUNT RECEPTACLE
SMALL FLANGE
FRONT PANEL MOUNTING



SHELL SIZE	FRONT VIEW						SIDE VIEW					
	R ±0.134 ±.005		S ±0.254 ±.010		T ±0.134 ±.005		A THREAD	L MAX		M MAX		V DS-2A-60° THREADS
18	27.00	1.063	35.00	1.378	3.28	0.129	1.000-20 UNEF	34.93	1.375	24.21	0.953	1.250
20	29.39	1.157	38.00	1.496	3.28	0.129	1.125-18 UNEF	34.93	1.375	24.21	0.953	1.375
22	31.80	1.252	41.00	1.614	3.28	0.129	1.250-18 UNEF	34.93	1.375	24.21	0.953	1.500
24	35.00	1.374	44.50	1.752	3.73	0.147	1.375-18 UNEF	36.45	1.435	26.59	1.047	1.750
28	39.70	1.563	50.80	2.000	3.73	0.147	1.625-18 UNEF	36.45	1.435	26.59	1.047	2.000
32	44.50	1.752	57.15	2.250	4.40	0.173	1.875-16 UN	36.45	1.435	28.19	1.110	2.250
36	49.20	1.937	63.50	2.500	4.40	0.173	2.062-16 UNS	36.45	1.435	28.19	1.110	2.500
40	55.50	2.185	69.90	2.752	4.40	0.173	2.312-16 UNS	36.45	1.435	28.19	1.110	2.750

DIMENSIONS IN *ITALICS* ARE INCHES.

IN-LINE RECEPTACLE



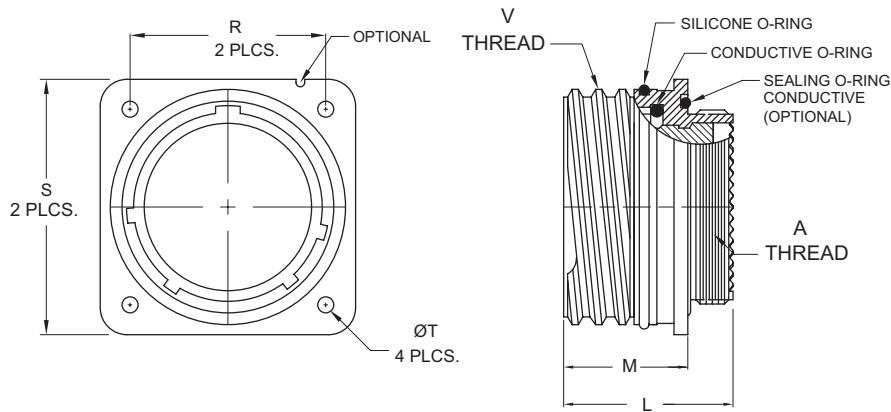
SHELL SIZE	FRONT VIEW				SIDE VIEW					
	S ±0.384 ±.015		T ±0.254 ±.010		A THREAD	L MAX		M MAX		V DS-2A-60° THREADS
18	34.93	1.375	41.28	1.625	1.000-20 UNEF	40.08	1.578	24.21	0.953	1.250
20	38.10	1.500	44.45	1.750	1.125-18 UNEF	40.08	1.578	24.21	0.953	1.375
22	41.28	1.625	47.63	1.875	1.250-18 UNEF	40.08	1.578	24.21	0.953	1.500
24	47.63	1.875	53.98	2.125	1.375-18 UNEF	41.68	1.641	26.59	1.047	1.750
28	53.98	2.125	60.33	2.375	1.625-18 UNEF	41.68	1.641	26.59	1.047	2.000
32	60.33	2.375	66.68	2.625	1.875-16 UN	41.66	1.640	28.19	1.110	2.250
36	66.68	2.625	73.03	2.875	2.062-16 UNS	41.66	1.640	28.19	1.110	2.500
40	76.20	3.000	79.38	3.125	2.312-16 UNS	46.05	1.813	28.19	1.110	2.750

DIMENSIONS IN *ITALICS* ARE INCHES.



SCDSR03HZ*

WALL MOUNT RECEPTACLE LARGE FLANGE FRONT OR REAR PANEL MOUNTING

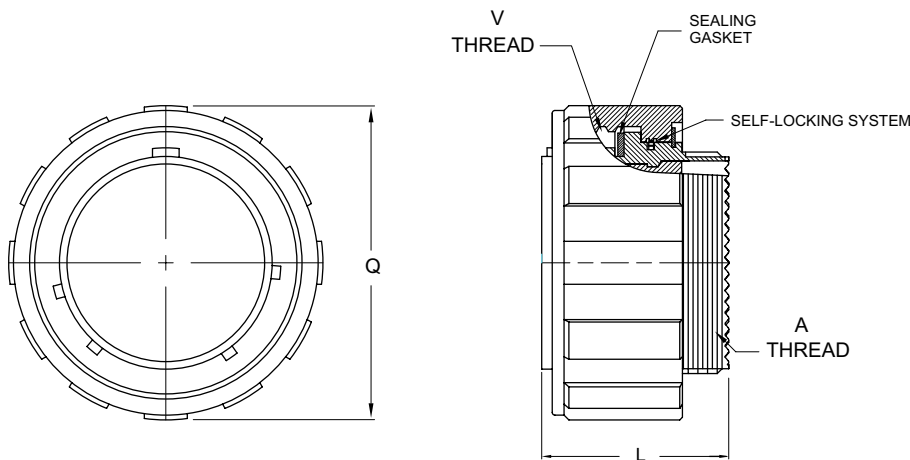


SHELL SIZE	FRONT VIEW						SIDE VIEW					
	R $\pm 0.13 \pm 005$		S $\pm 0.25 \pm 010$		T $\pm 0.05 \pm 002$		A THREAD	L MAX	M MAX	V DS-2A-60° THREADS		
18	29.36	1.156	38.10	1.500	4.57	0.180	1.000-20 UNEF	40.08	1.578	24.21	0.953	1.250
20	31.75	1.250	41.28	1.625	4.57	0.180	1.125-18 UNEF	40.08	1.578	24.21	0.953	1.375
22	34.93	1.375	44.45	1.750	4.57	0.180	1.250-18 UNEF	40.08	1.578	24.21	0.953	1.500
24	39.67	1.562	50.80	2.000	4.57	0.180	1.375-18 UNEF	41.68	1.641	26.59	1.047	1.750
28	44.45	1.750	57.15	2.250	4.57	0.180	1.625-18 UNEF	41.68	1.641	26.59	1.047	2.000
32	49.23	1.938	63.50	2.500	5.38	0.212	1.875-16 UN	41.76	1.644	28.19	1.110	2.250
36	55.58	2.188	69.85	2.750	5.38	0.212	2.062-16 UNS	41.76	1.644	28.19	1.110	2.500
40	60.33	2.375	76.20	3.000	5.38	0.212	2.312-16 UNS	41.76	1.644	28.19	1.110	2.750

DIMENSIONS IN *ITALICS* ARE INCHES.

SCDSR06HZ*

STRAIGHT PLUG



SHELL SIZE	FRONT VIEW	SIDE VIEW		
	Q MAX	A THREAD	L MAX	V DS-2B-60° THREADS
18	42.67 1.680	1.000-20 UNEF	43.18 1.700	1.250
20	48.26 1.900	1.125-18 UNEF	43.18 1.700	1.375
22	50.80 2.000	1.250-18 UNEF	43.18 1.700	1.500
24	57.15 2.250	1.375-18 UNEF	43.94 1.730	1.750
28	63.50 2.500	1.625-18 UNEF	43.94 1.730	2.000
32	68.58 2.700	1.875-16 UN	44.70 1.760	2.250
36	74.93 2.950	2.062-16 UNS	44.70 1.760	2.500
40	82.55 3.250	2.312-16 UNS	44.70 1.760	2.750

DIMENSIONS IN *ITALICS* ARE INCHES.



INSERT CONFIGURATIONS BY SHELL SIZE

INSERT NUMB.	CONTACTS							ALTERNATE POSI-TIONS (Degrees)			
	TOTAL	SIZE						W	X	Y	Z
		#20	#18	#16	#12	#8	#4				
18-1†★	10			10				70	145	215	290
18-3‡	2				2			35	110	250	325
18-4†	4			4				35	110	250	325
18-5†	3			1	2			80	110	250	280
18-6†	1						1	-	-	-	-
18A6	6			2	4			-	180	-	-
18-7†	1						1	-	-	-	-
18-8†	8			7	1			70	-	-	290
18-9†	7			5	2			80	110	270	280
18-10†	4				4			-	120	240	-
18-11†★	5				5			-	170	265	-
18-12†	6			6				80	-	-	280
18-13†★	4				3	1		80	110	250	280
18-14†	2			1			1	80	110	250	280
18-19‡	10			10				-	120	240	-
18-20‡	5			5				90	180	270	-
18-21‡	3				3			70	145	215	290
18-22‡	3			3				70	145	215	290
18-29‡	5			5				90	180	270	-
20-2†★	1						1	-	-	-	-
20-3‡	3				3			70	145	215	290
20-4†	4				4			45	110	250	-
20-5‡	2			2				35	110	250	325
20-6‡	3			3				70	145	215	290
20-7†	8			8				80	110	250	280
20-8†★	6			4		2		80	110	250	280
20B8	8			4	4			-	-	-	-
20-9†	8			7	1			80	110	250	280
20A9★	9			9				-	110	250	-
20-10‡	4			4				-	-	-	-
20-11‡	13			13				-	-	-	-
20-12‡	2			1			1	80	110	250	280
20-13‡	4			4				-	-	-	-
20-14†	5				3	2		80	110	250	280
20-15†★	7				7			80	-	-	280
20-16†	9			7	2			80	110	250	280
20-17†	6			1	5			90	180	270	-
20-18†	9			6	3			35	110	250	325
20-19‡	3					3		90	180	270	-
20-20‡	4				3		1	80	110	250	280
20-21†	9			8	1			35	110	250	325
20-22†	6			3		3		80	110	250	280
20-23‡	2					2		35	110	250	325
20-24‡	4			2		2		35	110	250	325
20-26‡	3				3			-	-	-	-
20-27†	14			14				35	110	250	325
20-29†	17			17				80	-	-	280
20-31‡	11			11				-	-	-	-
20-33†	11			11				-	-	-	-
20A48★	19			19				-	80	280	-
22-1‡	2					2		35	110	250	325
22-2†	3					3		70	145	215	290
22-3‡	2			1			1	80	110	250	280
22-4‡	4				2	2		35	110	250	325
22-5‡	6			4	2			35	110	250	325
22-6‡	3			1		2		80	110	250	280
22-7†	1						1	-	-	-	-
22-8‡	2				2			35	110	250	325
22-9†	3				3			70	145	215	290
22-10†	4			4				35	110	250	325

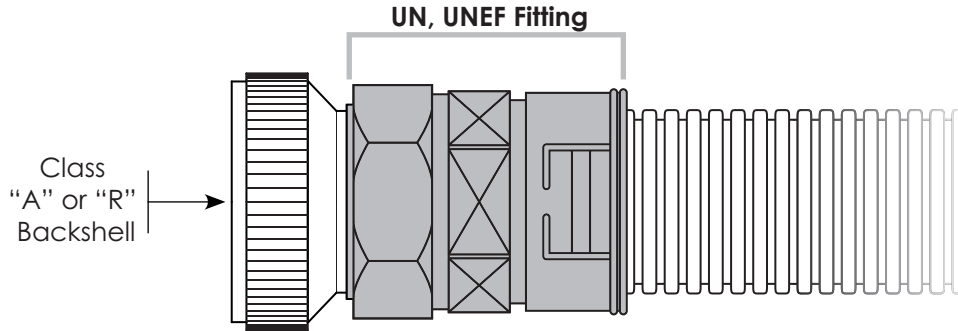
INSERT NUMB.	CONTACTS							ALTERNATE POSI-TIONS (Degrees)				
	TOTAL	SIZE						W	X	Y	Z	
		#20	#18	#16	#12	#8	#4					#0
22A10	10			10				-	120	240	-	
22-11†	2			2				35	110	250	325	
22-12†★	5			3			2	80	110	250	280	
22-13‡	5			1	4			35	110	250	325	
22-14†★	19			19				80	110	250	280	
22-15†	6			1	5			80	110	250	280	
22-16‡	9			6	3			80	110	250	280	
22-17†	9			8	1			80	110	250	280	
22-18†	8			8				80	110	250	280	
22-19†	14			14				80	110	250	280	
22-20‡	9			9				35	110	250	325	
22-21†	3			2				1	80	110	250	280
22-22†★	4						4	-	110	250	-	
22B22★	4						4	-	110	250	-	
22-23†	8				8			35	-	250	-	
22-24‡	6			4	2			80	110	250	280	
22-25‡	3			2				1	80	110	250	280
22-26‡	7			5	2			-	-	-	-	
22-27†★	9			8			1	80	-	250	280	
22-28‡	7				7			80	-	-	280	
22-29‡	7			6			1	80	110	250	280	
22-33‡	7			7				80	110	250	280	
22-34‡	5			2	3			80	110	250	280	
22-35‡	3						3	-	-	-	-	
22A37	37			37				80	112	250	280	
22-63	12			8	4			-	-	-	-	
22-70	13			5	8			-	-	-	-	
22-82	10			8		2		80	110	250	280	
24-1†	2			1				1	80	110	250	280
24A1	1							1	-	-	-	-
24-2†	7				7			80	-	-	280	
24-3‡	7			5	2			80	110	250	280	
24-4†	4			3				1	80	110	250	280
24-5‡	16			16				80	110	250	280	
24G5	5						5	70	110	240	270	
24-6†	8				8			80	110	250	280	
24A6	6				4	2		40	-	-	320	
24-7†	16			14	2			80	110	250	280	
24A7	7				7			80	-	-	280	
24-9‡	2						2	35	110	250	325	
24-10†★	7						7	80	-	-	280	
24-11†★	9				6	3		35	110	250	325	
24-12†★	5				3		2	80	110	250	280	
24S12	12			10			2					
24A13	13			7	6			-	-	-	-	
24-14‡	3				2			1	80	110	250	280
24-16†	7			3	3	1		80	110	250	280	
24-17‡	5			3	2			80	110	250	280	
24-19‡	12			12				-	-	-	-	
24-20†	11			9	2			80	110	250	280	
24-21†	10			9		1		80	110	250	280	
24-22†	4					4		45	110	250	-	
24-23‡	5			2		3		80	110	250	280	
24A25	25			25				80	110	250	280	
24-27†	7			7				80	-	-	280	
24-28†	24			24				80	110	250	280	
24A28	28			28				65	146	235	-	
24A35★	16				14	2		-	-	-	-	
24A40	16			14	2			-	-	-	-	
24A55	55	55						90	110	250	280	

† = Military designation per MIL-STD-1651
‡ = Military designation inactive for new design.
★ = VG95234

Continued on Next Page



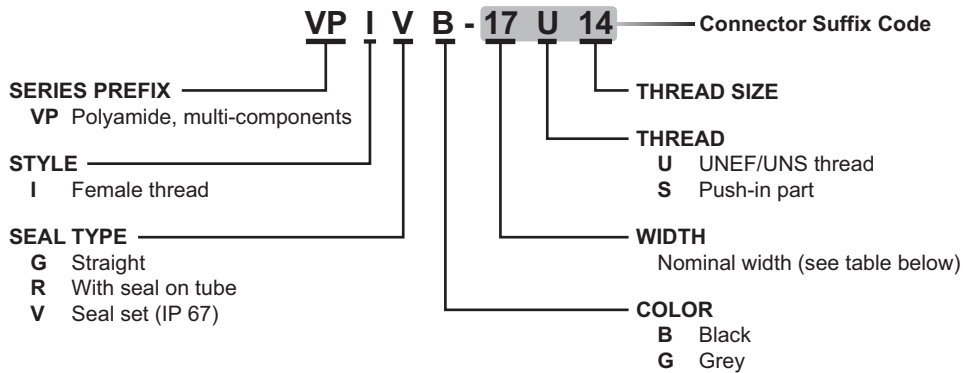
BACKSHELLS FOR PLASTIC FLEXIBLE CONDUIT



Class: TRAC connectors are supplied with a one piece (no "U" clip) fitting.
 Example: Connector with UNEF threads: SCPB06TRAC28-12S(17U14).

- ▶ Standard connector, fittings and conduit are black. Internal wire sealing grommet is included. Other options available, consult factory.
- ▶ Fittings may be purchased individually by using the part numbers listed (see table below).
- ▶ Conduit may be purchased separately.
- ▶ Meets IP67 standards.
- ▶ Halogen-free, self-extinguishing, non-flame spreading.

ORDERING INFORMATION FOR UN, UNEF FITTINGS ONLY



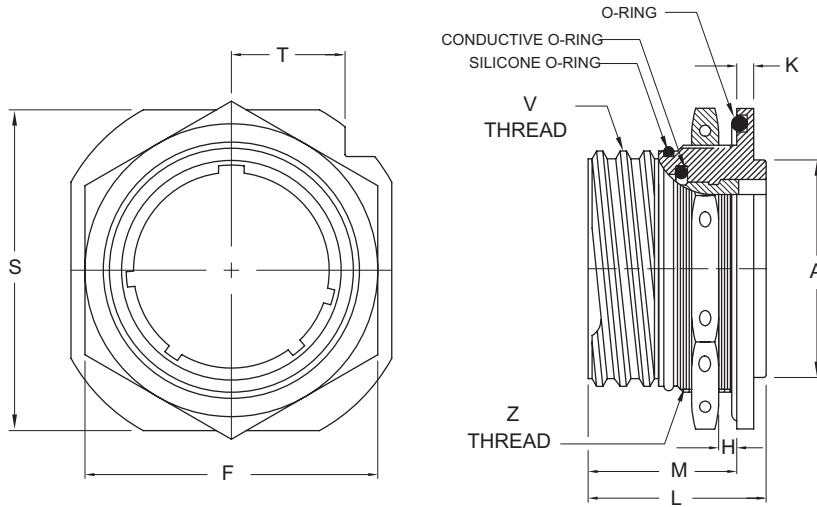
Shell Size	Backshell Thread	TRAC Fitting P/N for UNEF Threads (IP67)	Nominal Width	Metric
18	1-20UNEF	VPIRB-12U11*	12	16
		VPIRB-17U11	17	20
		VPIRB-23U11*	23	25
20	1 3/16-18UNEF	VPIRB-12U14*	12	16
		VPIRB-17U14	17	20
		VPIRB-23U14*	23	25
		VPIRB-29U14*	29	29
22	1 3/16-18UNEF	VPIRB-36U14*	36	40
		VPIRB-12U14*	12	16
		VPIRB-17U14	17	20
		VPIRB-23U14	23	25
24	1 7/16-18UNEF	VPIRB-29U14*	29	29
		VPIRB-36U14*	36	40
		VPIRB-12U18*	12	16
		VPIRB-17U18*	17	20
28	1 7/16-18UNEF	VPIRB-23U18	23	25
		VPIRB-29U18*	29	29
		VPIRB-36U18*	36	40
		VPIRB-48U18*	48	50

Shell Size	Backshell Thread	TRAC Fitting P/N for UNEF Threads (IP67)	Nominal Width	Metric
28	1 7/16-18UNEF	VPIRB-12U18*	12	16
		VPIRB-17U18*	17	20
		VPIRB-23U18	23	25
		VPIRB-29U18*	29	29
32	1 3/4-18UNS	VPIRB-36U18*	36	40
		VPIRB-17U20*	17	20
		VPIRB-23U20*	23	25
		VPIRB-29U20*	29	32
36	2-18UNS	VPIRB-36U20*	36	40
		VPIRB-23U24*	23	25
		VPIRB-29U24	29	32
		VPIRB-36U24*	36	40
40	2 1/4-16UN	VPIRB-48U24*	48	50
		VPIRB-23U25*	23	25
		VPIRB-29U25*	29	32
		VPIRB-36U25*	36	40
40	2 1/4-16UN	VPIRB-48U25*	48	50
		VPIRB-36U25*	36	40

* Consult sales for availability.



JAM NUT RECEPTACLE



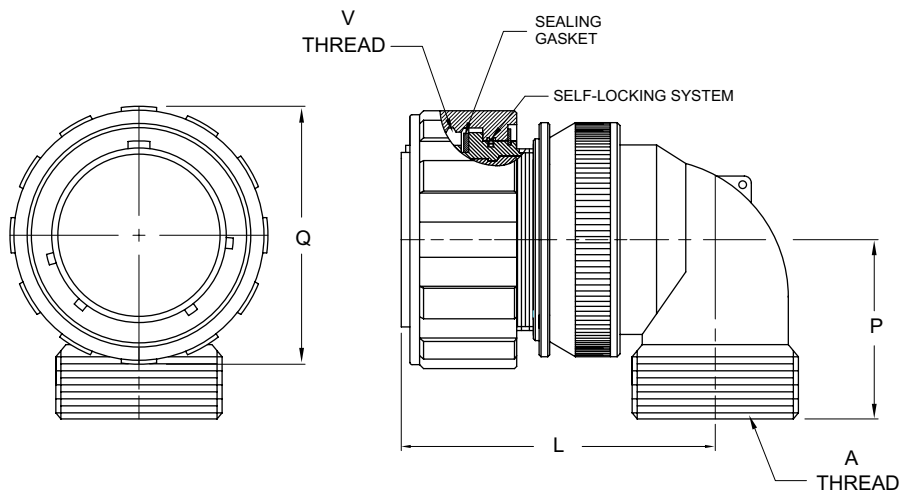
SHELL SIZE	FRONT VIEW						SIDE VIEW													
	F		S		T		A		H				K		L		M	V	Z	
	±0.434 ±.017		±0.254 ±.010		MAX		±0.284 ±.011		PANEL THICKNESS		±0.254 ±.010		±0.284 ±.011	±0.134 ±.005	DS-2A-60° THREADS	THREAD				
	MIN	MAX	MIN	MAX	MIN	MAX	MIN	MAX	MIN	MAX	MIN	MAX	MIN	MAX						
18	39.67	1.562	47.62	1.875	17.09	0.673	25.78	1.015	2.39	0.094	6.76	0.266	4.77	0.188	40.08	1.578	30.56	1.203	1.250	1.375-18 UNEF
20	44.45	1.750	50.80	2.000	18.21	0.717	29.74	1.171	2.39	0.094	6.76	0.266	4.77	0.188	40.08	1.578	30.56	1.203	1.375	1.500-18 UNEF
22	47.63	1.875	53.97	2.125	19.33	0.761	32.92	1.296	2.39	0.094	6.76	0.266	4.77	0.188	40.08	1.578	30.56	1.203	1.500	1.625-18 UNEF
24	53.98	2.125	60.32	2.375	21.59	0.850	36.09	1.421	2.39	0.094	8.33	0.328	4.77	0.188	41.68	1.641	32.16	1.266	1.750	1.875-16 UN
28	60.33	2.375	66.67	2.625	23.83	0.938	41.23	1.625	2.39	0.094	8.33	0.328	5.56	0.219	41.68	1.641	33.76	1.329	2.000	2.125-16 UN
32	66.68	2.625	73.02	2.875	26.08	1.027	48.03	1.891	2.39	0.094	8.33	0.328	5.56	0.219	41.68	1.641	33.76	1.329	2.250	2.375-16 UN
36	73.03	2.875	79.38	3.125	28.30	1.114	52.78	2.078	2.39	0.094	8.33	0.328	5.56	0.219	41.68	1.641	33.76	1.329	2.500	2.625-16 UN
40	79.38	3.125	86.51	3.406	30.81	1.213	58.72	2.312	2.39	0.094	8.33	0.328	5.56	0.219	41.68	1.641	33.76	1.329	2.750	2.875-16 UN

DIMENSIONS IN *ITALICS* ARE INCHES.

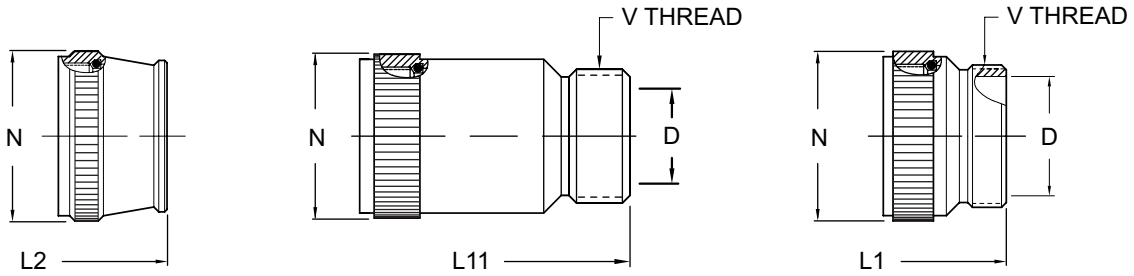
90° PLUG

SHELL SIZE	FRONT VIEW	SIDE VIEW				V DS-2B-60° THREADS
	Q MAX	A THREAD	L MAX	P MAX		
18	42.67 1.680	1.000-20 UNEF	62.23 2.450	29.97 1.180	1.250	
20	48.26 1.900	1.188-18 UNEF	68.58 2.700	31.24 1.230	1.375	
22	50.80 2.000	1.188-18 UNEF	68.58 2.700	32.18 1.267	1.500	
24	57.15 2.250	1.438-18 UNEF	72.90 2.870	37.72 1.485	1.750	
28	63.50 2.500	1.438-18 UNEF	72.90 2.870	38.10 1.500	2.000	
32	68.58 2.700	1.750-18 UNS	77.22 3.040	45.97 1.810	2.250	
36	74.93 2.950	2.000-18 UNS	80.52 3.170	40.89 1.610	2.500	
40	82.55 3.250	2.250-16 UN	83.57 3.290	53.34 2.100	2.750	

DIMENSIONS IN *ITALICS* ARE INCHES.



BACKSHELLS FOR DISCREET/INDIVIDUAL WIRES



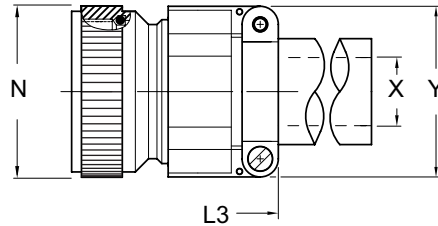
CLASS: RV*
Environmental with grommet

CLASS: LR*
Environmental with grommet

CLASS: R*
Environmental with grommet
Class A: Non-environmental, no grommet

SHELL SIZE	N MAX.		RV					LR & R															
			01		03		06		D MIN.	V THREAD CLASS 2A	01			03			06						
			L2 MAX.	L2 MAX.	L2 MAX.	L2 MAX.	L2 MAX.	L1 MAX.			L11 APPX.	L1 MAX.	L11 APPX.	L1 MAX.	L11 APPX.								
18	29.5	<i>1.161</i>	62.0	<i>2.441</i>	62.0	<i>2.441</i>	65.0	<i>2.559</i>	16.7	<i>0.657</i>	1-20 UNEF	64.0	<i>2.520</i>	93.0	<i>3.661</i>	64.0	<i>2.520</i>	93.0	<i>3.661</i>	67.0	<i>2.638</i>	96.0	<i>3.780</i>
20	33.0	<i>1.299</i>	63.0	<i>2.480</i>	63.0	<i>2.480</i>	66.0	<i>2.598</i>	19.8	<i>0.780</i>	1 3/16-18 UNEF	64.0	<i>2.520</i>	93.0	<i>3.661</i>	64.0	<i>2.520</i>	93.0	<i>3.661</i>	67.0	<i>2.638</i>	96.0	<i>3.780</i>
22	36.0	<i>1.417</i>	63.0	<i>2.480</i>	63.0	<i>2.480</i>	66.0	<i>2.598</i>	19.8	<i>0.780</i>	1 3/16-18 UNEF	65.0	<i>2.559</i>	93.0	<i>3.661</i>	65.0	<i>2.559</i>	93.0	<i>3.661</i>	68.0	<i>2.677</i>	96.0	<i>3.780</i>
24	40.0	<i>1.575</i>	65.0	<i>2.559</i>	65.0	<i>2.559</i>	68.0	<i>2.677</i>	25.4	<i>1.000</i>	1 7/16-18 UNEF	67.0	<i>2.638</i>	93.0	<i>3.661</i>	67.0	<i>2.638</i>	93.0	<i>3.661</i>	70.0	<i>2.756</i>	96.0	<i>3.780</i>
28	46.0	<i>1.811</i>	65.0	<i>2.559</i>	65.0	<i>2.559</i>	68.0	<i>2.677</i>	27.0	<i>1.063</i>	1 7/16-18 UNEF	73.0	<i>2.874</i>	100.0	<i>3.937</i>	73.0	<i>2.874</i>	100.0	<i>3.937</i>	76.0	<i>2.992</i>	103.0	<i>4.055</i>
32	51.5	<i>2.028</i>	65.0	<i>2.559</i>	65.0	<i>2.559</i>	68.0	<i>2.677</i>	32.5	<i>1.280</i>	1 3/4-18 UNS	77.0	<i>3.031</i>	100.0	<i>3.937</i>	77.0	<i>3.031</i>	100.0	<i>3.937</i>	80.0	<i>3.150</i>	103.0	<i>4.055</i>
36	58.0	<i>2.283</i>	65.0	<i>2.559</i>	65.0	<i>2.559</i>	68.0	<i>2.677</i>	35.7	<i>1.406</i>	2-18 UNS	78.0	<i>3.071</i>	100.0	<i>3.937</i>	78.0	<i>3.071</i>	100.0	<i>3.937</i>	81.0	<i>3.189</i>	103.0	<i>4.055</i>
40	64.5	<i>2.539</i>	65.0	<i>2.559</i>	65.0	<i>2.559</i>	68.0	<i>2.677</i>	45.0	<i>1.772</i>	2 1/4-16 UN	92.0	<i>3.622</i>	100.0	<i>3.937</i>	92.0	<i>3.622</i>	100.0	<i>3.937</i>	95.0	<i>3.740</i>	103.0	<i>4.055</i>

DIMENSIONS IN *ITALICS* ARE INCHES.



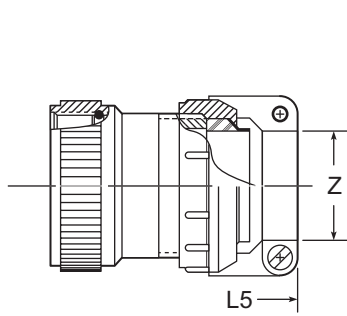
CLASS: F* Environmental with grommet

SHELL SIZE	N MAX.		X MIN.	Y MAX.		01		03		06		
						L3 APPX.	L3 APPX.	L3 APPX.	L3 APPX.			
18	31.0	<i>1.220</i>	14.2	<i>0.559</i>	32.2	<i>1.268</i>	77.0	<i>3.031</i>	77.0	<i>3.031</i>	80.0	<i>3.150</i>
20	35.0	<i>1.378</i>	15.8	<i>0.622</i>	37.5	<i>1.476</i>	77.0	<i>3.031</i>	77.0	<i>3.031</i>	80.0	<i>3.150</i>
22	38.0	<i>1.496</i>	15.8	<i>0.622</i>	37.5	<i>1.476</i>	79.0	<i>3.110</i>	79.0	<i>3.110</i>	82.0	<i>3.228</i>
24	41.0	<i>1.614</i>	19.0	<i>0.748</i>	43.3	<i>1.705</i>	82.0	<i>3.228</i>	82.0	<i>3.228</i>	85.0	<i>3.346</i>
28	48.0	<i>1.890</i>	19.0	<i>0.748</i>	43.3	<i>1.705</i>	89.0	<i>3.504</i>	89.0	<i>3.504</i>	92.0	<i>3.622</i>
32	54.0	<i>2.126</i>	23.8	<i>1.051</i>	51.7	<i>2.035</i>	92.0	<i>3.622</i>	92.0	<i>3.622</i>	95.0	<i>3.740</i>
36	61.0	<i>2.402</i>	31.7	<i>1.248</i>	58.0	<i>2.283</i>	94.0	<i>3.700</i>	94.0	<i>3.700</i>	95.0	<i>3.740</i>
40	68.0	<i>2.677</i>	34.9	<i>1.374</i>	65.5	<i>2.579</i>	122.0	<i>4.803</i>	122.0	<i>4.803</i>	125.0	<i>4.921</i>

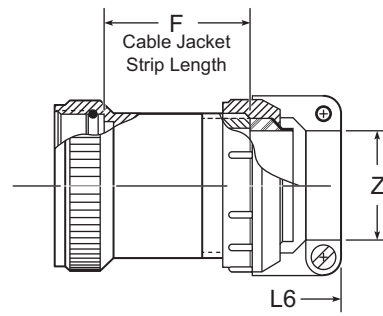
DIMENSIONS IN *ITALICS* ARE INCHES.



BACKSHELLS FOR JACKETED CABLE



FOR JACKETED CABLE
CLASS: CFZ* Environmental with grommet



CLASS: LCFZ* Environmental with grommet

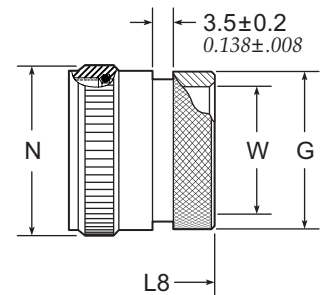
SHELL SIZE	F REF.	Z					01				03				06			
		OPEN		CLOSED			L5 APPX.		L6 APPX.		L5 APPX.		L6 APPX.		L5 APPX.		L6 APPX.	
		18	45.8	<i>1.803</i>	15.87	<i>0.625</i>	9.6	<i>0.378</i>	85.0	<i>3.346</i>	115.0	<i>4.528</i>	85.0	<i>3.346</i>	115.0	<i>4.528</i>	88.0	<i>3.465</i>
20	45.9	<i>1.807</i>	19.00	<i>0.748</i>	11.3	<i>0.445</i>	85.0	<i>3.346</i>	115.0	<i>4.528</i>	85.0	<i>3.346</i>	115.0	<i>4.528</i>	88.0	<i>3.465</i>	118.0	<i>4.646</i>
22	45.9	<i>1.807</i>	19.00	<i>0.748</i>	11.3	<i>0.445</i>	88.0	<i>3.464</i>	115.0	<i>4.528</i>	88.0	<i>3.464</i>	115.0	<i>4.528</i>	91.0	<i>3.583</i>	118.0	<i>4.646</i>
24	44.5	<i>1.752</i>	23.80	<i>0.937</i>	15.5	<i>0.610</i>	92.0	<i>3.622</i>	119.0	<i>4.685</i>	92.0	<i>3.622</i>	119.0	<i>4.685</i>	95.0	<i>3.740</i>	122.0	<i>4.803</i>
28	49.5	<i>1.949</i>	23.80	<i>0.937</i>	15.5	<i>0.610</i>	98.0	<i>3.858</i>	124.0	<i>4.882</i>	98.0	<i>3.858</i>	124.0	<i>4.882</i>	101.0	<i>3.976</i>	127.0	<i>5.000</i>
32	49.6	<i>1.953</i>	31.75	<i>1.250</i>	23.4	<i>0.921</i>	107.0	<i>4.213</i>	131.0	<i>5.157</i>	107.0	<i>4.213</i>	131.0	<i>5.157</i>	110.0	<i>4.331</i>	134.0	<i>5.276</i>
36	50.0	<i>1.969</i>	35.00	<i>1.378</i>	23.4	<i>0.921</i>	112.0	<i>4.409</i>	135.0	<i>5.315</i>	112.0	<i>4.409</i>	135.0	<i>5.315</i>	115.0	<i>4.528</i>	138.0	<i>5.433</i>
40	50.0	<i>1.969</i>	41.25	<i>1.624</i>	29.9	<i>1.177</i>	126.0	<i>4.961</i>	135.0	<i>5.315</i>	126.0	<i>4.961</i>	135.0	<i>5.315</i>	129.0	<i>5.079</i>	138.0	<i>5.433</i>

DIMENSIONS IN *ITALICS* ARE INCHES.

BACKSHELLS FOR SHRINK BOOTS

SHELL SIZE	G ±0.2 ±.008		N MAX.		W MIN.		01		03		06	
							L8 MAX.		L8 MAX.		L8 MAX.	
18	23.9	<i>0.941</i>	31.0	<i>1.220</i>	17.5	<i>0.689</i>	66.0	<i>2.598</i>	66.0	<i>2.598</i>	69.0	<i>2.717</i>
20	29.6	<i>1.165</i>	35.0	<i>1.378</i>	19.5	<i>0.768</i>	71.0	<i>2.795</i>	71.0	<i>2.795</i>	74.0	<i>2.913</i>
22	29.6	<i>1.165</i>	38.0	<i>1.496</i>	22.0	<i>0.866</i>	71.0	<i>2.795</i>	71.0	<i>2.795</i>	74.0	<i>2.913</i>
24	37.8	<i>1.488</i>	41.0	<i>1.614</i>	25.0	<i>0.984</i>	71.0	<i>2.795</i>	71.0	<i>2.795</i>	74.0	<i>2.913</i>
28	37.8	<i>1.488</i>	48.0	<i>1.890</i>	29.0	<i>1.142</i>	71.0	<i>2.795</i>	71.0	<i>2.795</i>	74.0	<i>2.913</i>
32	47.8	<i>1.882</i>	54.0	<i>2.126</i>	34.0	<i>1.339</i>	75.0	<i>2.953</i>	75.0	<i>2.953</i>	78.0	<i>2.874</i>
36	47.8	<i>1.882</i>	61.0	<i>2.402</i>	38.5	<i>1.516</i>	80.0	<i>3.150</i>	80.0	<i>3.150</i>	83.0	<i>3.267</i>
40	52.4	<i>2.063</i>	68.0	<i>2.677</i>	48.0	<i>1.890</i>	82.0	<i>3.228</i>	82.0	<i>3.228</i>	85.0	<i>3.346</i>

DIMENSIONS IN *ITALICS* ARE INCHES.



CLASS: G* Environmental with grommet

SPACECRAFT COMPONENTS CORP.

Serving Connector Users Since 1962



SCP 5015 STYLE
CONNECTORS
(CATALOG 102)



SCPT 26482 STYLE
SC1 38999 SERIES I
SC2 38999 SERIES II
SC39 38999 SERIES III
(CATALOG 202)



SCPB SERIES
(CATALOG 302)



CONNECTOR
ACCESSORIES
(CATALOG 401)



CONNECTORS
WITH INTEGRATED
BACKSHELLS
(CATALOG 601)

**Try our other
connector products.
Catalogs available.**



**SPACECRAFT
COMPONENTS CORP.**

Headquarters

3040 Clayton Street
North Las Vegas, NV 89032

Phone: 702.851.7600
Fax: 702.851.7620

Email: salesinfo@spacecraft.com
Web: www.spacecraft.com

Florida Office

10732 NW 53rd St.
Sunrise, FL 33351
Tel: 954.748.4540
Fax: 954.748.4128

Arizona Office

519 W. Lone Cactus Dr.
Suite 401
Phoenix, AZ 85027
Tel: 623.580.1162
Fax: 623.580.1165

Italy Office

Spacecraft Components, sp A
Milan, Italy
+39 (335) 719.4512

Mexico Office

Av. Constituyentes 13-6 Col. Pueblo Nuevo
Queretaro, Qro 76900
+52 442 341 69 63

SF-121
08.12