

SPACECRAFT COMPONENTS CORP.

Your Connector Consultant Since 1962

# KWIKRELEASE

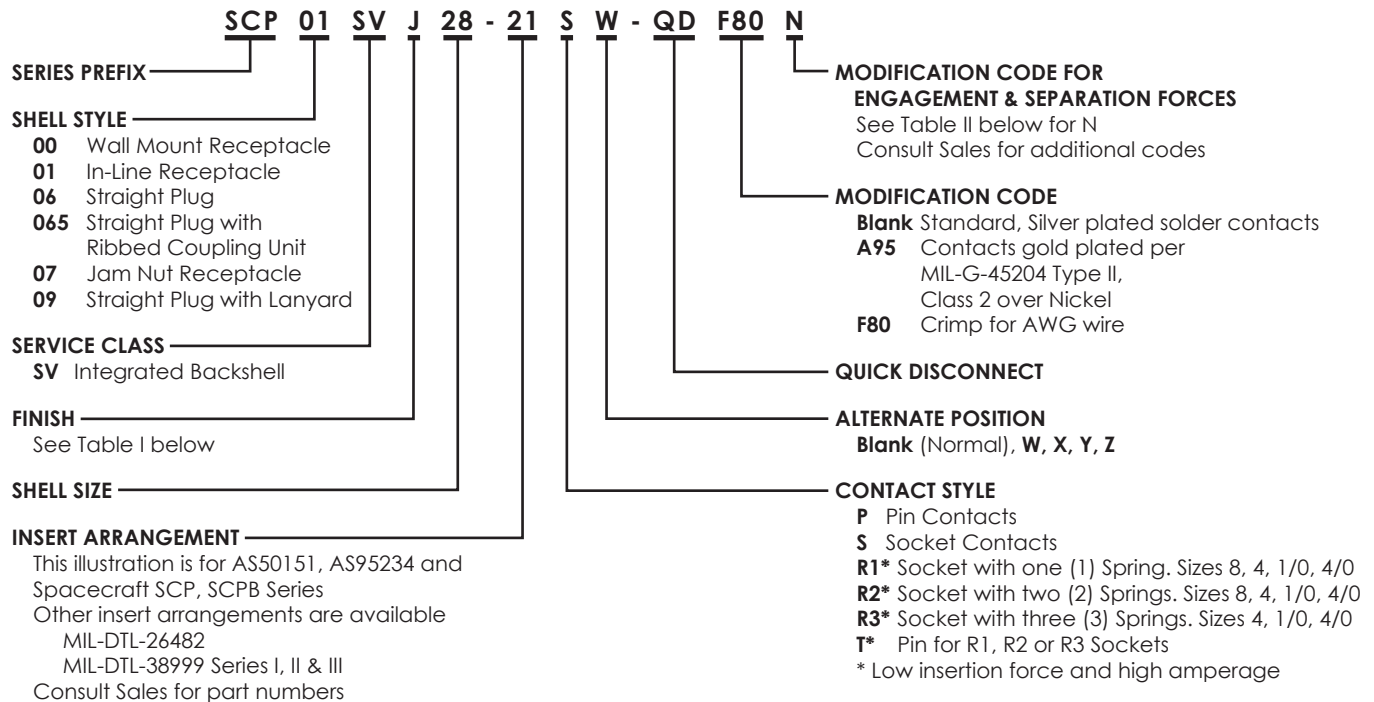
## QUICK DISCONNECT CONNECTORS



- ▶ Vertical or horizontal mounting
- ▶ Shorter length by using an integrated backshell
- ▶ Available with various mating & separation force levels
- ▶ Utilizing push/pull technology for coupling & uncoupling

# QUICK DISCONNECT CONNECTORS

## ORDERING INFORMATION



**TABLE I: FINISH**

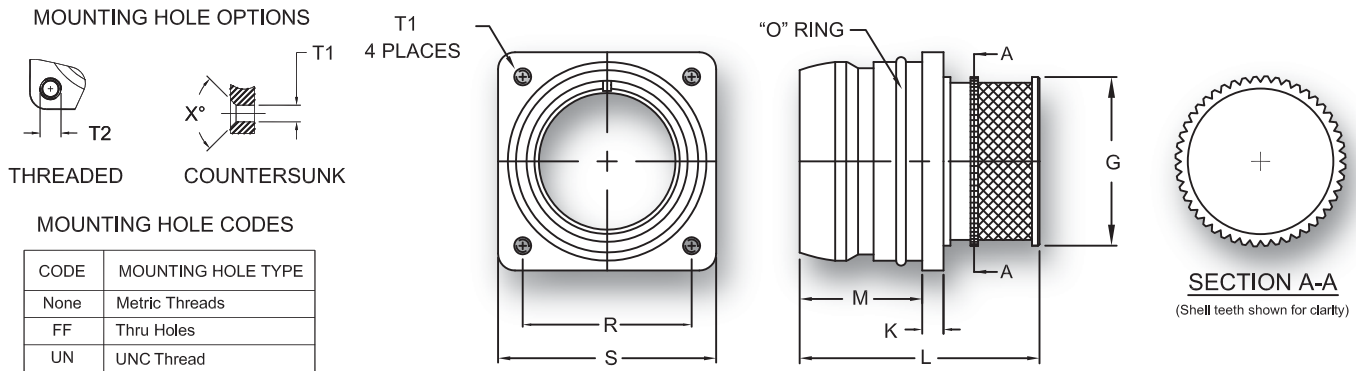
CODE	MATERIAL	FINISH
A	Aluminum	Black Anodize
B		Black Cadmium, 48 hr salt spray
C		Bright Cadmium, 48 hr salt spray
D		Bright Cadmium over electroless nickel, 500 hr salt spray
E		Bright Cadmium over electroless nickel
F		Cadmium Gold Iridite, 48 hr salt spray
G		Cadmium Gold Iridite over electroless nickel, 500 hr salt spray
J		Olive Drab Cadmium, 48 hr salt spray
K		Olive Drab Cadmium over electroless nickel, 500 hr salt spray
L		Olive Drab Cadmium over electroless nickel
M		Electroless Nickel
N		Hard Anodize
Y		Zinc Cobalt, olive drab color
Z	Zinc Cobalt, black color	
P	303	Black Cadmium
R	Stainless Steel	Electrodeposited Nickel
S	Steel	Passivated
T	316 Stainless Steel	Passivated

**TABLE II: ENGAGEMENT & SEPARATION FORCES**

CODE*	SIZE	ENGAGEMENT MIN.	SEPERATION MIN.
N	10SL	10	40
N	14S	10	40
N	16S	12	45
N	16	12	45
N	18	15	50
N	20	15	60
N	22	15	60
N	24	15	65
N	28	15	65
N	32	15	70
N	36	15	70
N	40	15	80

\* Calculated without loading the contacts.  
Results will vary depending on each insert arrangement.

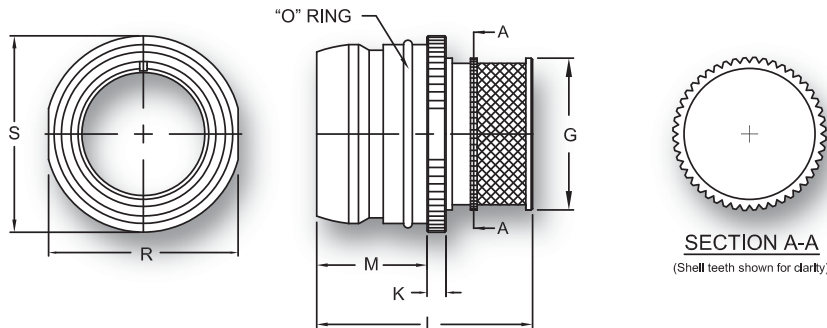
# SCP00 WALL MOUNT RECEPTACLE



SHELL SIZE	R ±.004 [±0.10]	S ±.012 [±0.31]	T1 +.004 [+0.10] -.000 [-0.00]	T2 THREAD		G MAX	K ±.008 [±0.20]	L MAX	M +.016 [+0.41] -.000 [-0.00]
				METRIC	UNC				
10SL	0.717 [18.21]	1.000 [25.40]	0.126 [3.20]	M4	8-32UNC	0.632 [16.05]	0.110 [2.79]	1.320 [33.53]	0.717 [18.21]
14S	0.906 [23.01]	1.181 [30.00]	0.126 [3.20]	M4	8-32UNC	0.755 [19.18]	0.126 [3.20]	1.320 [33.53]	0.717 [18.21]
16S	0.969 [24.61]	1.280 [32.51]	0.126 [3.20]	M4	8-32UNC	0.880 [22.35]	0.126 [3.20]	1.320 [33.53]	0.717 [18.21]
16	0.969 [24.61]	1.280 [32.51]	0.126 [3.20]	M4	8-32UNC	0.880 [22.35]	0.126 [3.20]	1.685 [42.80]	0.907 [23.04]
18	1.063 [27.00]	1.378 [35.00]	0.126 [3.20]	M4	8-32UNC	1.005 [25.53]	0.157 [3.99]	1.685 [42.80]	0.907 [23.04]
20	1.157 [29.39]	1.496 [38.00]	0.126 [3.20]	M4	8-32UNC	1.130 [28.70]	0.157 [3.99]	1.685 [42.80]	0.907 [23.04]
22	1.252 [31.80]	1.614 [41.00]	0.126 [3.20]	M4	8-32UNC	1.255 [31.88]	0.157 [3.99]	1.685 [42.80]	0.907 [23.04]
24	1.374 [34.90]	1.752 [44.50]	0.146 [3.71]	M4	10-24UNC	1.380 [35.05]	0.157 [3.99]	1.685 [42.80]	0.907 [23.04]
28	1.563 [39.70]	2.000 [50.80]	0.146 [3.71]	M5	10-24UNC	1.630 [41.40]	0.157 [3.99]	1.725 [43.82]	0.947 [24.05]
32	1.752 [44.50]	2.244 [57.00]	0.169 [4.29]	M5	1/4-20UNC	1.880 [47.75]	0.157 [3.99]	1.725 [43.82]	0.947 [24.05]
36	1.937 [49.20]	2.500 [63.50]	0.169 [4.29]	M5	1/4-20UNC	2.067 [52.50]	0.157 [3.99]	1.725 [43.82]	0.947 [24.05]
40	2.185 [55.50]	2.752 [69.90]	0.169 [4.29]	M5	1/4-20UNC	2.317 [58.85]	0.157 [3.99]	1.725 [43.82]	0.947 [24.05]

Dimensions in brackets [ ] are in millimeters.

# SCP01 IN-LINE RECEPTACLE

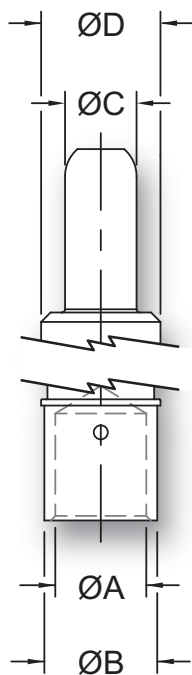


SHELL SIZE	R MAX	S MAX	G MAX	K ±.008 [±0.02]	L MAX	M +.016 [+0.41] -.000 [-0.00]
10SL	0.825 [20.96]	0.886 [22.50]	0.632 [16.05]	0.110 [2.79]	1.320 [33.53]	.717 [18.21]
14S	1.014 [25.76]	1.161 [29.49]	0.755 [19.18]	0.126 [3.20]	1.320 [33.53]	.717 [18.21]
16S	1.140 [28.96]	1.240 [31.50]	0.880 [22.35]	0.126 [3.20]	1.320 [33.53]	.717 [18.21]
16	1.140 [28.96]	1.240 [31.50]	0.880 [22.35]	0.126 [3.20]	1.685 [42.80]	.907 [23.04]
18	1.264 [32.11]	1.358 [34.49]	1.005 [25.53]	0.157 [3.99]	1.685 [42.80]	.907 [23.04]
20	1.390 [35.31]	1.476 [37.49]	1.130 [28.70]	0.157 [3.99]	1.685 [42.80]	.907 [23.04]
22	1.514 [38.46]	1.594 [40.49]	1.255 [31.88]	0.157 [3.99]	1.685 [42.80]	.907 [23.04]
24	1.640 [41.66]	1.752 [44.50]	1.380 [35.05]	0.157 [3.99]	1.685 [42.80]	.907 [23.04]
28	1.890 [48.01]	1.969 [50.01]	1.630 [41.40]	0.157 [3.99]	1.725 [43.82]	.947 [24.05]
32	2.140 [54.36]	2.224 [56.49]	1.880 [47.75]	0.157 [3.99]	1.725 [43.82]	.947 [24.05]
36	2.400 [60.96]	2.480 [62.99]	2.067 [52.50]	0.157 [3.99]	1.725 [43.82]	.947 [24.05]
40	2.595 [65.91]	2.717 [69.01]	2.317 [58.85]	0.157 [3.99]	1.725 [43.82]	.947 [24.05]

Dimensions in brackets [ ] are in millimeters.



# POWERBAND PIN CONTACTS



**R10 - 85 00 - 140**

**SERIES PREFIX**  
**R10** Size 1/0 & 4/0 Contacts Only\*  
**R12** Size 8 & 4 Contacts Only\*  
 \* MIL-DTL-5015 Series I

**CONTACT SIZE**

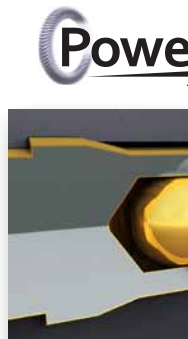
CODE	79	85	92	97
SIZE	8	4	1/0	4/0

**MATERIAL/FINISH**  
**110** Copper/Silver  
**140** Copper/Gold  
**142** Copper/Gold 0.000030

**WIRE RANGE**  
 Table below shows standard range. Other sizes are available. Consult Sales.

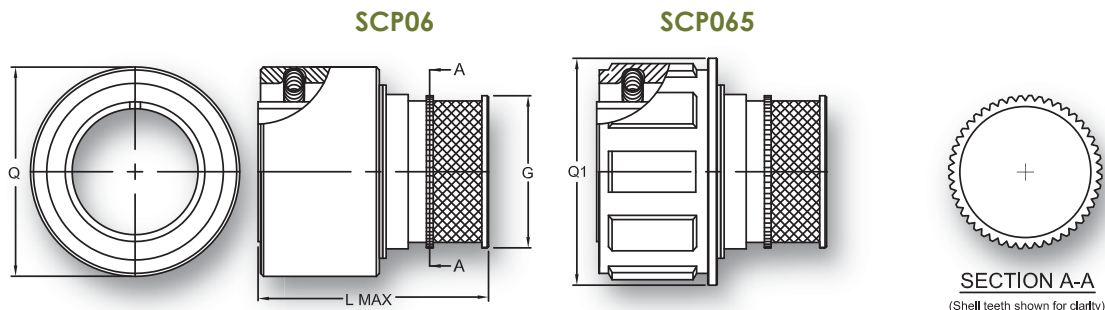
PIN PART NUMBER	SIZE	FOR WIRE SIZE		RATING	ØA	ØB	ØC	ØD
		AWG	MM <sup>2</sup>					
Rxx-7900-110	8	8	9.0	100 Amps	0.181 [4.60]	0.272 [6.90]	0.142 [3.61]	0.307 [7.80]
Rxx-8500-110	4	4	22.0	168 Amps	0.281 [7.15]	0.375 [9.50]	0.225 [5.70]	0.433 [11.00]
Rxx-9200-110	1/0	1/0	53.0	304 Amps	0.453 [11.50]	0.565 [14.35]	0.357 [9.07]	0.595 [15.11]
Rxx-9798-110	4/0	4/0	107.0	500 Amps	0.650 [16.50]	0.787 [20.00]	0.550 [13.97]	0.787 [20.00]

Dimensions in brackets [ ] are in mm.



These High-Cu are designed for Force and Extra providing up to Cycles.

# STRAIGHT PLUG SCP06, SCP065, SCP09

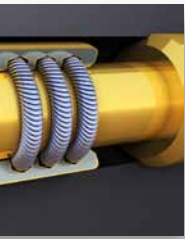


SHELL SIZE	G MAX	L	Q MAX	Q1 MAX
10SL	0.632 [16.05]	1.320 [33.53]	1.217 [30.91]	1.400 [35.56]
14S	0.755 [19.18]	1.320 [33.53]	1.425 [36.20]	1.600 [40.64]
16S	0.880 [22.35]	1.320 [33.53]	1.590 [40.39]	1.780 [45.21]
16	0.880 [22.35]	1.685 [42.80]	1.590 [40.39]	1.780 [45.21]
18	1.006 [25.55]	1.685 [42.80]	1.763 [44.78]	1.950 [49.53]
20	1.130 [28.70]	1.685 [42.80]	1.900 [48.26]	2.100 [53.34]
22	1.256 [31.90]	1.685 [42.80]	2.022 [51.36]	2.200 [55.88]
24	1.380 [35.05]	1.685 [42.80]	2.160 [54.86]	2.350 [59.69]
28	1.630 [41.40]	1.725 [43.82]	2.390 [60.71]	2.580 [65.53]
32	1.880 [47.75]	1.725 [43.82]	2.600 [66.04]	2.800 [71.12]
36	2.067 [52.50]	1.725 [43.82]	2.900 [73.66]	3.100 [78.74]
40	2.317 [58.85]	1.725 [43.82]	3.130 [79.50]	3.300 [83.82]

Dimensions in brackets [ ] are in millimeters.

# POWERBAND SOCKET CONTACTS

PowerBand



Current contacts for Low Insertion Extreme Durability, up to 10,000 Mating

**T10 - 85 00 - 140 - 1**

**SERIES PREFIX**  
T10 All Sizes, MIL-DTL-5015 Series I

**CONTACT SIZE**

CODE	79	85	92	97
SIZE	8	4	1/0	4/0

**MODIFICATION\***

- 1 Standard Duty: 1 Spring
- 2 Extended Duty: 2 Springs
- 3 High Current: 3 Springs

\*Applies only to socket contacts sizes 8, 4, 1/0 and 4/0

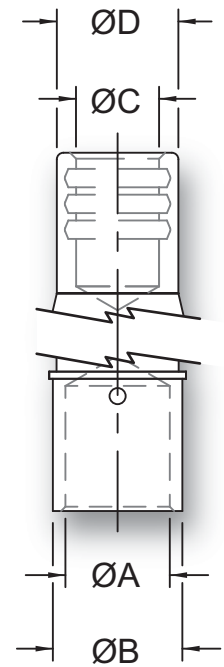
**MATERIAL/FINISH**

- 110 Copper/Silver
- 140 Copper/Gold
- 142 Copper/Gold 0.000030

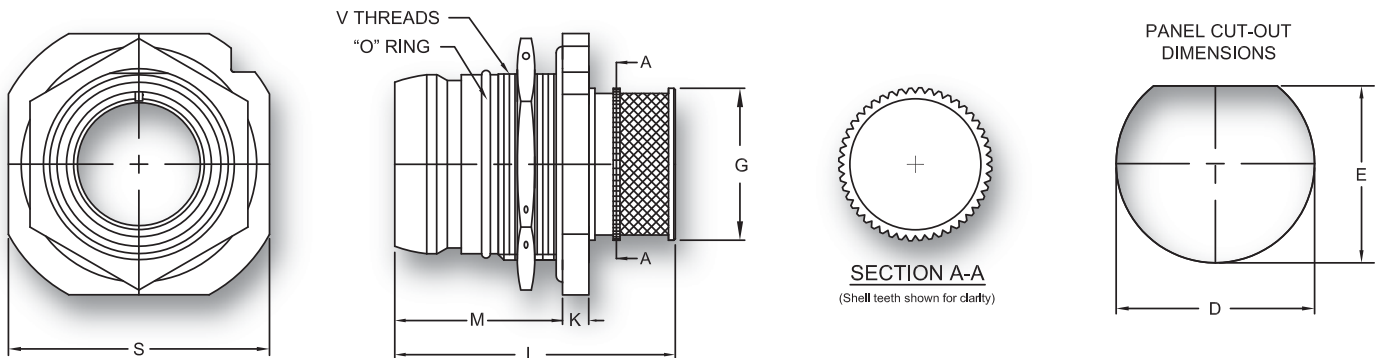
**WIRE RANGE**  
Table below shows standard range. Other sizes are available. Consult Sales.

SOCKET PART NUMBER	SIZE	FOR WIRE SIZE		SPRINGS	RATING	ØA	ØB	ØC	ØD
		AWG	MM <sup>2</sup>						
Txx-7900-110-1	8	8	9	1	46 Amps	0.181 [4.60]	0.272 [6.90]	0.145 [3.68]	0.265 [6.73]
Txx-7900-110-2				2	73 Amps				
Txx-7900-110-3				3	90 Amps				
Txx-8500-110-1	4	4	22	1	80 Amps	0.281 [7.15]	0.375 [9.50]	0.235 [5.97]	0.336 [8.53]
Txx-8500-110-2				2	135 Amps				
Txx-8500-110-3				3	168 Amps				
Txx-9200-110-1	1/0	1/0	53	1	150 Amps	0.453 [11.50]	0.565 [14.35]	0.368 [9.35]	0.532 [13.51]
Txx-9200-110-2				2	245 Amps				
Txx-9200-110-3				3	304 Amps				
Txx-9795-110-1	4/0	4/0	107	1	225 Amps	0.650 [16.50]	0.787 [20.00]	0.560 [14.22]	0.750 [19.05]
Txx-9795-110-2				2	350 Amps				
Txx-9795-110-3				3	500 Amps				

Dimensions in brackets [ ] are in mm.



# SCP07 JAM NUT RECEPTACLE



SHELL SIZE	S ±.012 [±0.31]	V THREADS	G MAX	K ±.008 [±0.2]	L MAX	M +.016 [+0.41] -.000 [-0.00]
10SL	1.252 [31.80]	7/8-20 UNEF	0.632 [16.05]	0.110 [2.79]	1.320 [33.53]	0.717 [18.21]
14S	1.626 [41.30]	1 1/8-18 UNEF	0.755 [19.18]	0.126 [3.20]	1.320 [33.53]	0.717 [18.21]
16S	1.748 [44.40]	1 1/4-18 UNEF	0.880 [22.35]	0.126 [3.20]	1.320 [33.53]	0.717 [18.21]
16	1.748 [44.40]	1 1/4-18 UNEF	0.880 [22.35]	0.126 [3.20]	1.685 [42.80]	0.907 [23.04]
18	1.874 [47.60]	1 3/8-18 UNEF	1.005 [25.53]	0.157 [3.99]	1.685 [42.80]	0.907 [23.04]
20	2.000 [50.80]	1 1/2-18 UNEF	1.130 [28.70]	0.157 [3.99]	1.685 [42.80]	0.907 [23.04]
22	2.252 [57.20]	1 5/8-18 UNEF	1.255 [31.88]	0.157 [3.99]	1.685 [42.80]	0.907 [23.04]
24	2.252 [57.20]	1 3/4-18 UNEF	1.380 [35.05]	0.157 [3.99]	1.685 [42.80]	0.907 [23.04]
28	2.500 [63.50]	2-18 UNS	1.630 [41.40]	0.157 [3.99]	1.725 [43.82]	0.947 [24.05]
32	2.748 [69.80]	2 1/4-16 UN	1.880 [47.75]	0.157 [3.99]	1.725 [43.82]	0.947 [24.05]
36	3.000 [76.20]	2 1/2-16 UN	2.067 [52.50]	0.157 [3.99]	1.725 [43.82]	0.947 [24.05]
40	3.287 [83.49]	2 3/4-16 UN	2.317 [58.85]	0.157 [3.99]	1.725 [43.82]	0.947 [24.05]

Dimensions in brackets [ ] are in millimeters.

SHELL SIZE	D	E
10SL	0.875 [22.23]	0.830 [21.08]
14S	1.125 [28.58]	1.080 [27.43]
16S	1.250 [31.75]	1.210 [30.73]
16	1.250 [31.75]	1.210 [30.73]
18	1.375 [34.93]	1.320 [33.53]
20	1.500 [38.10]	1.450 [36.83]
22	1.625 [41.28]	1.570 [39.88]
24	1.750 [44.45]	1.700 [43.18]
28	2.000 [50.80]	1.950 [49.53]
32	2.250 [57.15]	2.200 [55.88]
36	2.500 [63.50]	2.450 [62.23]
40	2.750 [69.85]	2.700 [68.58]

# SPACECRAFT COMPONENTS CORP.

Your Connector Consultant Since 1962

## Try Our Other Connector Products



SCP 5015 STYLE CONNECTORS (CATALOG 102)



SCPT 26482 STYLE SC1 38999 SERIES I SC2 38999 SERIES II SC39 38999 SERIES III (CATALOG 202)



SCPB SERIES (CATALOG 302)



CONNECTOR ACCESSORIES (CATALOG 401)



## Get All of Our Catalogs & Product Brochures on One Disc



CONNECTORS WITH INTEGRATED BACKSHELLS (CATALOG 601)

COMING SOON... All Plastic Connectors CATALOG 701



# SPACECRAFT COMPONENTS CORP.

### Headquarters

3040 Clayton Street  
North Las Vegas, NV 89032

Phone: 702.851.7600  
Fax: 702.851.7620

Email: [salesinfo@spacecraft.com](mailto:salesinfo@spacecraft.com)  
Web: [www.spacecraft.com](http://www.spacecraft.com)

### Florida Office

4577 Nob Hill Road  
Suite 106  
Sunrise, FL 33351  
Tel: 954.748.4540  
Fax: 954.748.4128

### Arizona Office

519 W. Lone Cactus Dr.  
Suite 401  
Phoenix, AZ 85027  
Tel: 623.580.1162  
Fax: 623.580.1165

### Italy Office

Spacecraft Components, Sp A  
Milan, Italy  
+39 (335) 719.4512

### Mexico Office

Av. Constituyentes 13-6 Col. Pueblo Nuevo  
Queretaro, Qro 76900  
+52 442 341 69 63

JUN.2013  
SF-200

COMPILED AND PRODUCED BY SPACECRAFT COMPONENTS CORP.  
©2013 SPACECRAFT COMPONENTS CORP., NORTH LAS VEGAS, NV 89032