

SPACECRAFT COMPONENTS CORP.

Your Connector Consultant Since 1962

M85049/130

FLANGE GASKETS



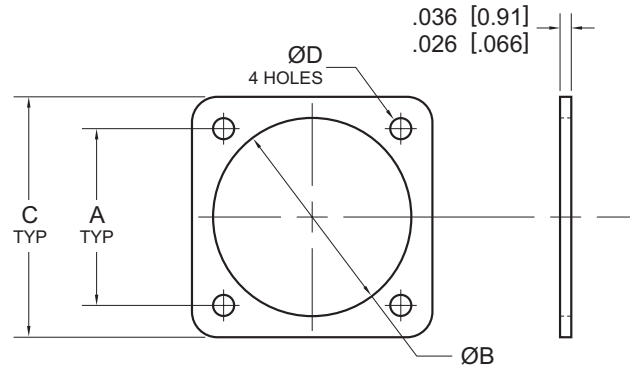
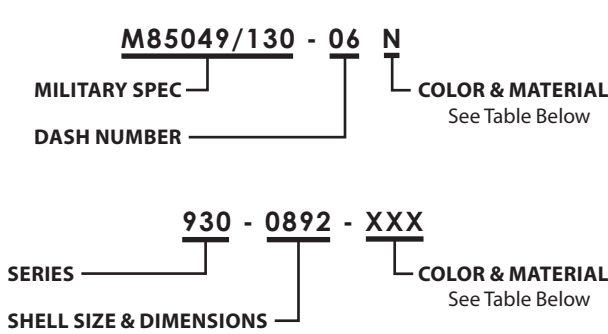
Materials

- ▶ Neoprene
- ▶ Silicone
- ▶ Fluorosilicone
- ▶ Viton
- ▶ Conductive or Non-Conductive



SPACECRAFT
COMPONENTS CORP.

FLANGE GASKETS



SUFFIX CODES		MATERIAL	SPECIFICATION	GRADE	TYPE	DUROMETER	COLOR
M85049/130-	930 SERIES						
N	000	Neoprene	AMS3208	60	-	50 ±5	Black
-	010	Conductive Neoprene	None (Obsolete, use Silicone per MIL-DTL83528 designator 643)				
V	032	Viton	MIL-R-83248	-	II	75 ±5	Black
S	242	Silicone	AA-59588	50	-	50 ±5	Red
M	643	Conductive Silicone Silver Filled	MIL-DTL-83528	-	B	65	Blue
F	651	Fluorosilicone	MIL-DTL-25988	60	II	60	Blue
C	844	Conductive-Silicone w/ Monel Mesh, capable of 80 dB at 100 MHz, temperature range -57C to +260C	None	-	-	30	Gray

Chart Listing by Connector Part Number

Part Number	Chart	Part Number	Chart	Part Number	Chart	Part Number	Chart	Part Number	Chart	Part Number	Chart
AS95234/2	A	M81511/01	G	M83723/38	D	MS3122	D	MS17343	B	MS27613	D
AS95234/4	A	M81511/21	G	M83723/39	D	MS3130	H	MS17346	B	MS27656	F
D38999/20	F	M81511/31	G	M83723/71	D	MS3132	H	MS24264	D	MS27662	F
D38999/40	F	M81511/35	G	M83723/72	D	MS3139	H	MS27466	F	MS27664	D
M28840/10	E	M81511/41	G	M83723/82	D	MS3140	H	MS27472	D	MS90555	C
M28840/12	E	M81511/51	G	M83723/83	D	MS3400	A	MS27479	D	MS90558	C
M28840/20	E	M83723/01	D	MS3100	A	MS3402	A	MS27496	F	NAS1641	D
M28876/1	E	M83723/02	D	MS3102	A	MS3412	A	MS27497	D	NAS1650	D
M28876/2	E	M83723/19	A	MS3103	A	MS3450	A	MS27499	D	NAS1692	D
M28876/3	E	M83723/20	A	MS3110	D	MS3452	A	MS27504	D	NAS1699	D
M28876/4	E	M83723/21	A	MS3112	D	MS3470	D	MS27508	D		
M28876/26	E	M83723/22	A	MS3120	D	MS3472	D	MS27513	D		

Chart A MIL-DTL-5015

REVERSE BAYONET – FRONT PANEL MOUNT

Connectors	Shell Size	M85049/130-	Part No.	A ±.015	B +.020 -.000	C ±.015	D ±.010
AS95234/2 AS95234/4 M83723/19 M83723/20 M83723/21 M83723/22	8S	02	930-0893-*	.594	.500	.875	.156
	10S, 10SL	05	930-1093-*	.719	.625	1.000	.156
	12, 12S	09	930-1293-*	.812	.750	1.094	.141
	14, 14S	13	930-1493-*	.906	.875	1.188	.156
	16, 16S	16	930-1693-*	.969	1.000	1.281	.156
	18	20	930-1893-*	1.062	1.135	1.375	.156
	20	24	930-2093-*	1.156	1.250	1.500	.177
	22	28	930-2293-*	1.250	1.375	1.625	.177
	24	32	930-2490-*	1.375	1.500	1.750	.203
	28	36	930-2890-*	1.562	1.750	2.000	.203
MS3100	32	40	930-3290-*	1.750	2.000	2.250	.219
MS3102	36	42	930-3693-*	1.938	2.250	2.500	.219
MS3103	40	43	930-4093-*	2.188	2.500	2.750	.219
MS3400	44	44	930-4493-*	2.375	2.781	3.000	.219
MS3402	48	46	930-4893-*	2.625	3.031	3.250	.219

* Color & Material to be selected.

Chart B

MIL-DTL-22992 Class C, J, R

Connectors	Shell Size	M85049/130-	Part No.	A	B	C	D
MS17343 MS17346	12	13	930-1493-*	.906	.874	1.188	.156
	14	16	930-1693-*	.969	1.000	1.281	.156
	16	20	930-1893-*	1.062	1.135	1.375	.156
	18	24	930-2093-*	1.156	1.250	1.500	.177
	20	28	930-2293-*	1.250	1.375	1.625	.177
	22	32	930-2490-*	1.375	1.500	1.750	.203
	24	36	930-2890-*	1.562	1.750	2.000	.203
	28	40	930-3290-*	1.750	2.000	2.250	.219
	32	42	930-3693-*	1.938	2.250	2.500	.219
	36	43	930-4093-*	2.188	2.500	2.750	.219
	40	-	930-4492-*	2.375	2.750	3.000	.219
	44	-	930-4892-*	2.625	3.000	3.250	.219

* Color & Material to be selected.



**SPACECRAFT
COMPONENTS CORP.**

3040 Clayton Street
North Las Vegas, NV 89032

Phone: 702.851.7600
Fax: 702.851.7620

Email: salesinfo@spacecraft.com
Web: www.spacecraft.com

Chart D
MIL-DTL-26482, MIL-DTL-26500
MIL-DTL-38999 Series II
MIL-DTL-83723 Series I & III &
NAS1599

Connectors			Shell Size	M85049/130-	Part No.	A ±.015	B +.020 -.000	C ±.015	D ±.010
M83723/01 M83723/02 M83723/38 M83723/39 M83723/71 M83723/72 M83723/82 M83723/83	MS3110	MS27499 MS27504	8	01	930-0892-*	.594	.568	.812	.125
			10	04	930-1092-*	.719	.680	.937	.125
	MS3112 MS3120	MS27508 MS27513	12	07	930-1292-*	.812	.875	1.060	.141
			14	11	930-1492-*	.906	1.005	1.153	.125
	MS3122 MS3470	MS27613 MS27664	16	14	930-1692-*	.969	1.135	1.258	.156
			18	18	930-1892-*	1.062	1.260	1.351	.156
	MS24264 MS27472 MS27479 MS27497	NAS1641 NAS1650 NAS1692 NAS1699	20	22	930-2092-*	1.156	1.375	1.500	.141
			22	26	930-2292-*	1.250	1.500	1.625	.141
			24	30	930-2492-*	1.375	1.625	1.750	.177

* Color & Material to be selected.

Chart C
MIL-DTL-22992 Class L

Connectors	Shell Size	M85049/130-	Part No.	A ±.015	B +.020 -.000	C ±.015	D ±.010
MS90555 MS90558	28	38	930-2894-*	1.719	2.000	2.375	.177
	32	41	930-3294-*	1.906	2.250	2.625	.219
	40	45	930-4094-*	2.406	2.750	3.125	.281
	44	47	930-4494-*	2.656	3.000	3.375	.281
	48	48	930-4894-*	2.906	3.250	3.625	.281
	52	49	930-5294-*	3.156	3.500	3.875	.281

* Color & Material to be selected.

Chart E
MIL-DTL-28840 &
MIL-PRF-28876

Connectors	Shell Size	M85049/130-	Part No.	A ±.015	B +.020 -.000	C ±.015	D ±.010
M28840/10 M28840/12 M28840/20 M28876/1 M28876/2 M28876/3 M28876/4 M28876/20	11	06	930-1195-*	.750	.750	1.023	.125
	13	10	930-1395-*	.843	.875	1.138	.125
	15	16	930-1693-*	.969	1.000	1.281	.156
	17	17	930-1795-*	1.015	1.125	1.383	.125
	19	21	930-1995-*	1.140	1.312	1.508	.125
	23	29	930-2395-*	1.281	1.500	1.718	.125
	25	33	930-2595-*	1.392	1.625	1.818	.141
	29	37	930-2995-*	1.568	1.875	2.138	.141
	33	39	930-3395-*	1.734	2.062	2.328	.177

* Color & Material to be selected.

Chart F
MIL-DTL-38999 Series I, III, & IV

Connectors	Shell Size	M85049/130-	Part No.	A	B	C	D
D38999/20 D38999/40 MS27466 MS27496 MS27656 MS27662	9, A	04	930-1092-*	.719	.680	.937	.125
	11, B	07	930-1292-*	.812	.875	1.060	.141
	13, C	11	930-1492-*	.906	1.005	1.153	.125
	15, D	14	930-1692-*	.969	1.135	1.250	.156
	17, E	18	930-1892-*	1.062	1.260	1.351	.156
	19, F	22	930-2092-*	1.156	1.375	1.500	.141
	21, G	26	930-2292-*	1.250	1.500	1.625	.141
	23, H	30	930-2492-*	1.375	1.625	1.750	.177
	25, J	35	930-2599-*	1.500	1.750	1.875	.177

* Color & Material to be selected.

Chart G
MIL-C-81511

Connectors	Shell Size	M85049/130-	Part No.	A	B	C	D
M81511/01 M81511/21 M81511/31 M81511/35 M81511/41 M81511/51	8	01	930-0892-*	.594	.568	.812	.125
	10	04	930-1092-*	.719	.680	.937	.125
	14	12	930-1998-*	.906	.938	1.125	.125
	16	15	930-2798-*	.969	1.063	1.250	.125
	18	19	930-1899-*	1.062	1.189	1.343	.125
	20	23	930-2099-*	1.156	1.312	1.467	.125
	22	27	930-2299-*	1.250	1.437	1.562	.125
	24	31	930-2499-*	1.375	1.563	1.703	.156

* Color & Material to be selected.

Chart H
AS81703 Series 1 & 2

Connector	Shell Size	M85049/130-	Part No.	A	B	C	D
MS3130 MS3132 MS3139 MS3140	3	03	930-0398-*	.625	.603	.896	.125
	7	04	930-1092-*	.719	.680	.937	.125
	12	08	930-1298-*	.812	.828	1.114	.125
	19	12	930-1998-*	.906	.938	1.125	.125
	27	15	930-2798-*	.969	1.063	1.250	.125
	37	25	930-3798-*	1.187	1.266	1.458	.125
	61	34	930-6198-*	1.436	1.570	1.799	.125

* Color & Material to be selected.

SPACECRAFT COMPONENTS CORP.

Your Connector Consultant Since 1962



SCP 5015 STYLE CONNECTORS (CATALOG 102)



SCPT 26482 STYLE SC1 38999 SERIES I SC2 38999 SERIES II SC39 38999 SERIES III (CATALOG 202)



SCPB SERIES (CATALOG 302)



CONNECTOR ACCESSORIES (CATALOG 402)



CONNECTORS WITH INTEGRATED BACKSHELLS (CATALOG 601)

Try our other connector products.

COMING SOON... All Plastic Connectors CATALOG 701



SPACECRAFT COMPONENTS CORP.

Headquarters
3040 Clayton Street
North Las Vegas, NV 89032

Phone: 702.851.7600
Fax: 702.851.7620

Email: salesinfo@spacecraft.com
Web: www.spacecraft.com

Florida Office
4577 Nob Hill Road
Suite 106
Sunrise, FL 33351
Tel: 954.748.4540
Fax: 954.748.4128

Arizona Office
519 W. Lone Cactus Dr.
Suite 401
Phoenix, AZ 85027
Tel: 623.580.1162
Fax: 623.580.1165

Italy Office
Spacecraft Components, sp A
Milan, Italy
+39 (335) 719.4512

Mexico Office
Av. Constituyentes 13-6 Col. Pueblo Nuevo
Queretaro, Qro 76900
+52 442 341 69 63

DEC.2012
SF-161
12.12