

# DuraLock

## RUGGED HYBRID CONNECTORS

A REVERSE BAYONET COUPLING

DESIGNED AROUND

MIL-DTL-38999 INSERT ARRANGEMENTS

SCPB39 SERIES

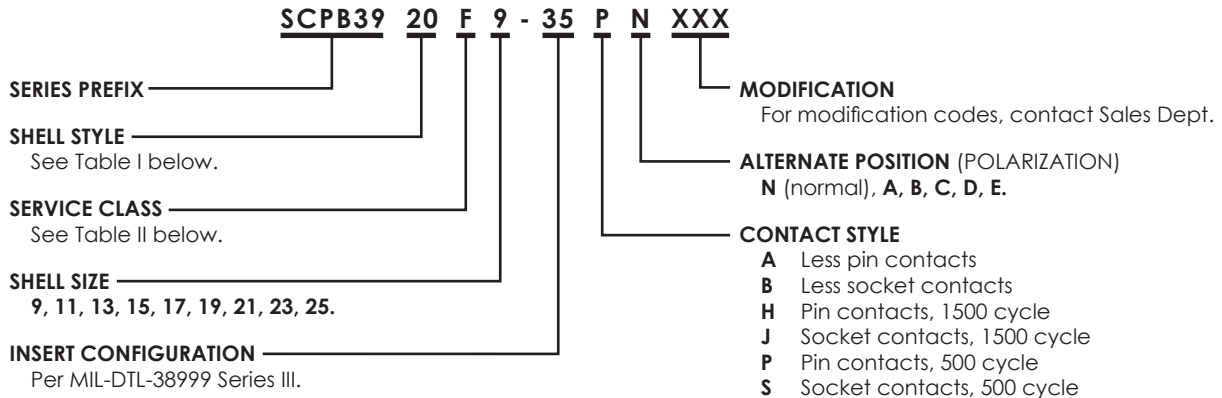


- ▶ Uses M39029 Contacts & Tools
- ▶ Uses M85049 Accessories
- ▶ Coupling provides a positive lock with an audible "Click" in 1/3 turn of the coupling nut
- ▶ Same footprint as MIL-STD-38999 Series III Square Flange Receptacle Shells & Plugs
- ▶ EMI/RFI Shell-to-Shell Grounding



# SCPB39 SERIES

## MIL-DTL-38999 SERIES III REVERSE BAYONET COUPLING ORDERING INFORMATION



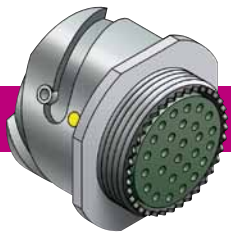
**TABLE I. SHELL STYLE**

PREFIX & SHELL STYLE	DESCRIPTION	AVAILABLE IN CLASS
SCPB3901	In-line receptacle	C, F, L, S, T, W, Z
SCPB3920	Wall mount receptacle	C, F, L, S, T, W, Z
SCPB3924	Jam nut receptacle	C, F, L, S, T, W, Z
SCPB3926	Straight plug, self-locking	C, F, L, S, T, W, Z

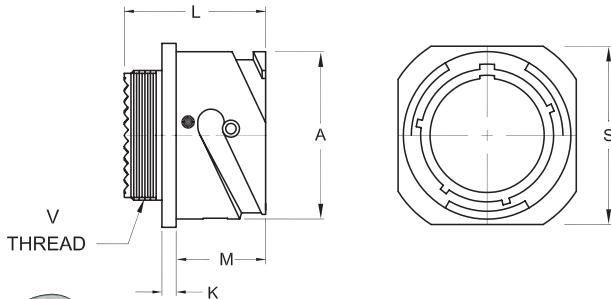
**TABLE II. CLASS**

CLASS	CLASS†	DESCRIPTION	MATERIAL	FINISH	TEMPERATURE
C	SVC	Environmental	Aluminum	Non-conductive anodize, black	-65° to 200°C
F	SVF	Environmental	Aluminum	Electroless nickel	-65° to 200°C
L	SVL	Environmental	Stainless Steel	Electrodeposited nickel	-65° to 200°C
S	SVS	Environmental	Stainless Steel	Passivated	-65° to 200°C
T	SVT	Environmental	Aluminum	Nickel fluorocarbon polymer	-65° to 175°C
W	SVW	Environmental	Aluminum	Cadmium olive drab 500 hr. salt spray	-65° to 175°C
X	SVX	Environmental	Aluminum	Zinc cobalt	-65° to 175°C
Y	SVY	Environmental	Aluminum	Zinc cobalt, black	-65° to 175°C
Z	SVZ	Environmental	Aluminum	Zinc nickel, black, 500 hr.	-65° to 175°C

† Integrated Backshell (not illustrated).

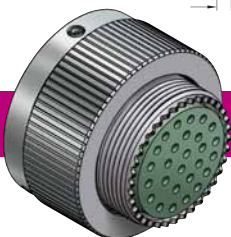


## SCPB3901 IN-LINE RECEPTACLE

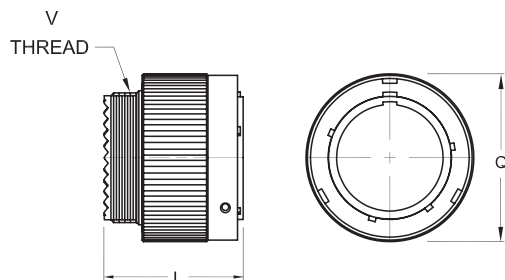


SHELL SIZE	A +0.00/+0.000 -0.15/-0.000	K +0.38/+0.015 -0.00/-0.000	L MAX	M +0.38/+0.015 -0.00/-0.000	S ±0.30/+0.012	V THREADS
9	18.20/ <b>0.717</b>	2.11/ <b>0.083</b>	31.50/ <b>1.240</b>	20.45/ <b>0.805</b>	18.42/ <b>0.725</b>	M12 x 1-6g
11	21.16/ <b>0.833</b>	2.11/ <b>0.083</b>	31.50/ <b>1.240</b>	20.45/ <b>0.805</b>	21.34/ <b>0.840</b>	M15 x 1-6g
13	24.60/ <b>0.969</b>	2.11/ <b>0.083</b>	31.50/ <b>1.240</b>	20.45/ <b>0.805</b>	24.77/ <b>0.975</b>	M18 x 1-6g
15	27.40/ <b>1.070</b>	2.11/ <b>0.083</b>	31.50/ <b>1.240</b>	20.45/ <b>0.805</b>	27.58/ <b>1.086</b>	M22 x 1-6g
17	30.80/ <b>1.213</b>	2.11/ <b>0.083</b>	31.50/ <b>1.240</b>	20.45/ <b>0.805</b>	30.99/ <b>1.220</b>	M25 x 1-6g
19	34.20/ <b>1.346</b>	2.11/ <b>0.083</b>	31.50/ <b>1.240</b>	20.45/ <b>0.805</b>	34.29/ <b>1.350</b>	M28 x 1-6g
21	37.40/ <b>1.472</b>	2.11/ <b>0.083</b>	31.50/ <b>1.240</b>	20.45/ <b>0.805</b>	37.59/ <b>1.480</b>	M31 x 1-6g
23	40.90/ <b>1.610</b>	2.11/ <b>0.083</b>	31.50/ <b>1.240</b>	20.45/ <b>0.805</b>	41.02/ <b>1.615</b>	M34 x 1-6g
25	46.70/ <b>1.839</b>	2.11/ <b>0.083</b>	31.50/ <b>1.240</b>	20.45/ <b>0.805</b>	46.86/ <b>1.845</b>	M37 x 1-6g

DIMENSIONS IN *ITALICS* ARE INCHES.



## SCPB3926 STRAIGHT PLUG

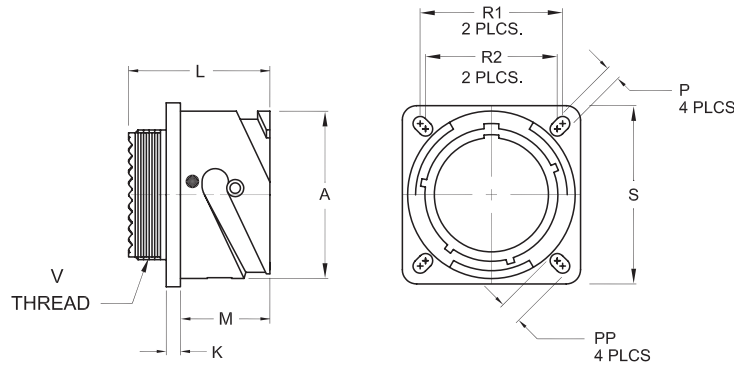
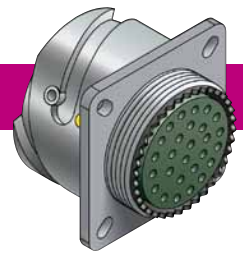


SHELL SIZE	Q MAX	L MAX	V THREADS
9	22.80/ <b>0.898</b>	31.50/ <b>1.240</b>	M12 x 1-6g
11	25.90/ <b>1.020</b>	31.50/ <b>1.240</b>	M15 x 1-6g
13	29.21/ <b>1.150</b>	31.50/ <b>1.240</b>	M18 x 1-6g
15	33.00/ <b>1.299</b>	31.50/ <b>1.240</b>	M22 x 1-6g
17	36.50/ <b>1.437</b>	31.50/ <b>1.240</b>	M25 x 1-6g
19	39.90/ <b>1.571</b>	31.50/ <b>1.240</b>	M28 x 1-6g
21	43.10/ <b>1.697</b>	31.50/ <b>1.240</b>	M31 x 1-6g
23	46.60/ <b>1.835</b>	31.50/ <b>1.240</b>	M34 x 1-6g
25	53.40/ <b>2.102</b>	31.50/ <b>1.240</b>	M37 x 1-6g

DIMENSIONS IN *ITALICS* ARE INCHES.

# SCPB3920

## WALL MOUNT RECEPTACLE

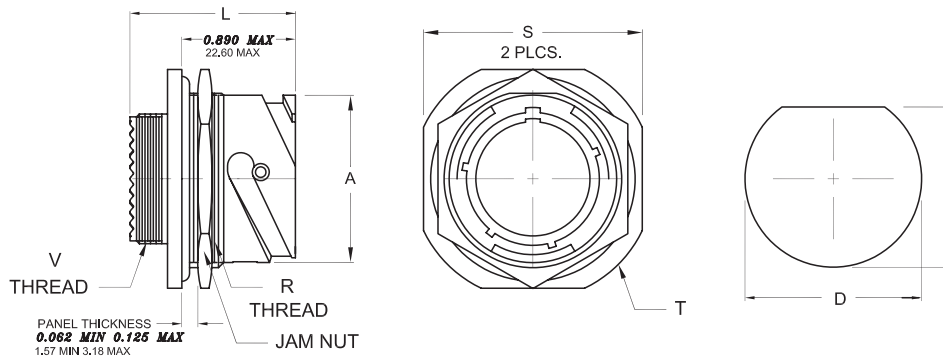


SHELL SIZE	A +0.00/+0.000 -0.15/-0.006	K +0.38/+0.015 -0.00/-0.000	L MAX	M +0.38/+0.015 -0.00/-0.000	P ±0.20/±.008	PP ±0.20/±.005	R1	R2	S ±0.30/±.012	V THREADS
9	18.20/ <i>0.717</i>	2.11/ <i>0.083</i>	31.50/ <i>1.240</i>	20.45/ <i>0.805</i>	3.25/ <i>0.128</i>	5.49/ <i>0.216</i>	18.26/ <i>0.719</i>	15.09/ <i>0.594</i>	23.80/ <i>0.937</i>	M12 x 1-6g
11	21.16/ <i>0.833</i>	2.11/ <i>0.083</i>	31.50/ <i>1.240</i>	20.45/ <i>0.805</i>	3.25/ <i>0.128</i>	4.93/ <i>0.194</i>	20.62/ <i>0.812</i>	18.26/ <i>0.719</i>	26.20/ <i>1.031</i>	M15 x 1-6g
13	24.60/ <i>0.969</i>	2.11/ <i>0.083</i>	31.50/ <i>1.240</i>	20.45/ <i>0.805</i>	3.25/ <i>0.128</i>	4.93/ <i>0.194</i>	23.01/ <i>0.906</i>	20.02/ <i>0.812</i>	28.60/ <i>1.126</i>	M18 x 1-6g
15	27.40/ <i>1.079</i>	2.11/ <i>0.083</i>	31.50/ <i>1.240</i>	20.45/ <i>0.805</i>	3.25/ <i>0.128</i>	4.93/ <i>0.194</i>	24.61/ <i>0.969</i>	23.01/ <i>0.906</i>	31.00/ <i>1.220</i>	M22 x 1-6g
17	30.80/ <i>1.213</i>	2.11/ <i>0.083</i>	31.50/ <i>1.240</i>	20.45/ <i>0.805</i>	3.25/ <i>0.128</i>	4.93/ <i>0.194</i>	20.07/ <i>1.062</i>	24.61/ <i>0.969</i>	33.30/ <i>1.311</i>	M25 x 1-6g
19	34.20/ <i>1.346</i>	2.11/ <i>0.083</i>	31.50/ <i>1.240</i>	20.45/ <i>0.805</i>	3.25/ <i>0.128</i>	4.93/ <i>0.194</i>	29.36/ <i>1.156</i>	20.97/ <i>1.062</i>	30.50/ <i>1.437</i>	M28 x 1-6g
21	37.40/ <i>1.472</i>	2.11/ <i>0.083</i>	31.50/ <i>1.240</i>	20.45/ <i>0.805</i>	3.25/ <i>0.128</i>	4.93/ <i>0.194</i>	31.75/ <i>1.250</i>	29.36/ <i>1.156</i>	39.70/ <i>1.563</i>	M31 x 1-6g
23	40.90/ <i>1.610</i>	2.11/ <i>0.083</i>	31.50/ <i>1.240</i>	20.45/ <i>0.805</i>	3.91/ <i>0.154</i>	6.15/ <i>0.242</i>	34.93/ <i>1.375</i>	31.75/ <i>1.250</i>	42.90/ <i>1.689</i>	M34 x 1-6g
25	46.70/ <i>1.839</i>	2.11/ <i>0.083</i>	31.50/ <i>1.240</i>	20.45/ <i>0.805</i>	3.91/ <i>0.154</i>	6.15/ <i>0.242</i>	38.10/ <i>1.500</i>	34.93/ <i>1.375</i>	46.00/ <i>1.811</i>	M37 x 1-6g

DIMENSIONS IN *ITALICS* ARE INCHES.

# SCPB3924

## JAM NUT RECEPTACLE\*



SHELL SIZE	A +0.00/+0.000 -0.15/-0.006	K +0.90/+0.035 -0.10/-0.004	L MAX	R THREADS	S ±0.40/±.016	T ±0.30/±.011	V THREADS	JAM NUT	D +0.25/+0.010 -0.00/-0.000	E +0.00/+0.000 -0.25/-0.010
9	18.20/ <i>0.717</i>	2.21/ <i>0.067</i>	32.51/ <i>1.260</i>	M20 x 1-6g	31.80/ <i>1.252</i>	34.90/ <i>1.374</i>	M12 x 1-6g	D38999/28-2	20.96/ <i>0.825</i>	19.59/ <i>0.771</i>
11	21.16/ <i>0.833</i>	2.21/ <i>0.087</i>	32.51/ <i>1.280</i>	M25 x 1-6g	34.90/ <i>1.374</i>	38.10/ <i>1.500</i>	M15 x 1-6g	D38999/28-3	25.65/ <i>1.010</i>	24.26/ <i>0.955</i>
13	24.60/ <i>0.969</i>	2.21/ <i>0.067</i>	32.51/ <i>1.260</i>	M28 x 1-6g	38.10/ <i>1.500</i>	41.30/ <i>1.626</i>	M18 x 1-6g	D38999/28-4	28.83/ <i>1.135</i>	27.56/ <i>1.085</i>
15	27.40/ <i>1.079</i>	2.21/ <i>0.087</i>	32.51/ <i>1.280</i>	M32 x 1-6g	41.30/ <i>1.626</i>	44.50/ <i>1.752</i>	M22 x 1-6g	D38999/28-6	32.01/ <i>1.260</i>	30.73/ <i>1.210</i>
17	30.80/ <i>1.213</i>	2.21/ <i>0.087</i>	32.51/ <i>1.280</i>	M35 x 1-6g	46.00/ <i>1.811</i>	49.20/ <i>1.937</i>	M25 x 1-6g	D38999/28-8	35.18/ <i>1.385</i>	33.91/ <i>1.335</i>
19	34.20/ <i>1.346</i>	3.00/ <i>0.118</i>	32.51/ <i>1.280</i>	M38 x 1-6g	49.20/ <i>1.937</i>	52.40/ <i>2.063</i>	M28 x 1-6g	D38999/28-9	38.35/ <i>1.510</i>	37.08/ <i>1.460</i>
21	37.40/ <i>1.472</i>	3.00/ <i>0.118</i>	32.51/ <i>1.280</i>	M41 x 1-6g	52.40/ <i>2.063</i>	55.60/ <i>2.189</i>	M31 x 1-6g	D38999/28-10	41.53/ <i>1.635</i>	40.26/ <i>1.585</i>
23	40.90/ <i>1.610</i>	3.00/ <i>0.118</i>	32.51/ <i>1.280</i>	M44 x 1-6g	55.60/ <i>2.189</i>	58.70/ <i>2.311</i>	M34 x 1-6g	D38999/28-11	44.70/ <i>1.760</i>	43.43/ <i>1.710</i>
25	46.70/ <i>1.839</i>	3.00/ <i>0.118</i>	32.51/ <i>1.280</i>	M50 x 1-6g	61.70/ <i>2.429</i>	64.80/ <i>2.551</i>	M37 x 1-6g	SC99928-12	50.70/ <i>1.996</i>	49.43/ <i>1.946</i>

DIMENSIONS IN *ITALICS* ARE INCHES.

\* The cut-out for the Jam Nut Receptacle is one size larger than MIL-DTL-38999 Series III.





# SPACECRAFT COMPONENTS CORP.

Your Connector Consultant Since 1962



SCP 5015 STYLE CONNECTORS (CATALOG 102)



SCPT 26482 STYLE SC1 38999 SERIES I SC2 38999 SERIES II SC39 38999 SERIES III (CATALOG 202)



SCPB SERIES (CATALOG 302)



CONNECTOR ACCESSORIES (CATALOG 401)



CONNECTORS WITH INTEGRATED BACKSHELLS (CATALOG 601)

Try our other connector products. Catalogs available.

COMING SOON... CATALOG 701 All Plastic Connectors



**SPACECRAFT COMPONENTS CORP.**



### Headquarters

3040 Clayton Street  
North Las Vegas, NV 89032

Phone: 702.851.7600  
Fax: 702.851.7620

Email: [salesinfo@spacecraft.com](mailto:salesinfo@spacecraft.com)  
Web: [www.spacecraft.com](http://www.spacecraft.com)

### Florida Office

10732 NW 53<sup>rd</sup> St.  
Sunrise, FL 33351  
Tel: 954.748.4540  
Fax: 954.748.4128

### Arizona Office

519 W. Lone Cactus Dr.  
Suite 401  
Phoenix, AZ 85027  
Tel: 623.580.1162  
Fax: 623.580.1165

### Italy Office

Spacecraft Components, sp A  
Milan, Italy  
+39 (335) 719.4512

### Mexico Office

Av. Constituyentes 13-6 Col. Pueblo Nuevo  
Queretaro, Qro 76900  
+52 442 341 69 63

AUG.2012  
SF-131

COMPILED AND PRODUCED BY SPACECRAFT COMPONENTS CORP.  
©2012 SPACECRAFT COMPONENTS CORP., NORTH LAS VEGAS, NV 89032