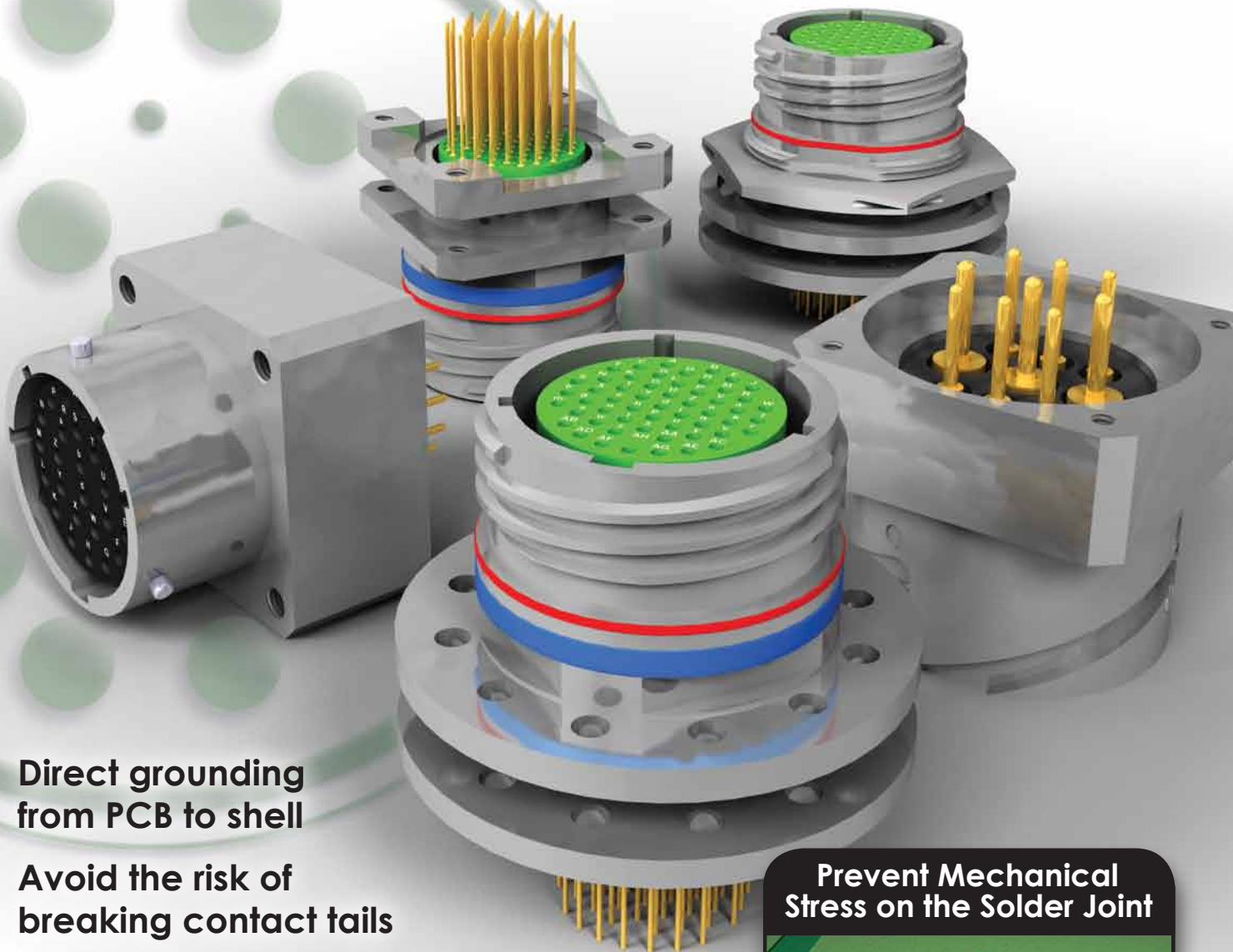


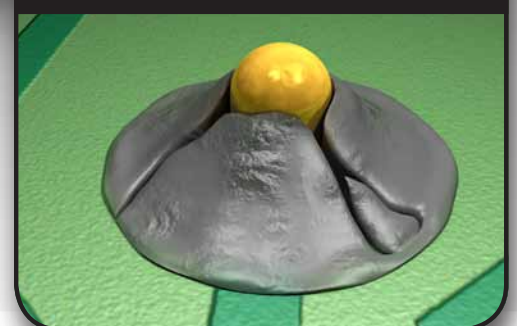
## SecureVibe

### Double & Thick Flange Connectors



- ▶ Direct grounding from PCB to shell
- ▶ Avoid the risk of breaking contact tails
- ▶ High resistance to vibration & shock
- ▶ Time saving & easy assembling

Prevent Mechanical Stress on the Solder Joint



# AS50151 SERIES I

## ORDERING INFORMATION

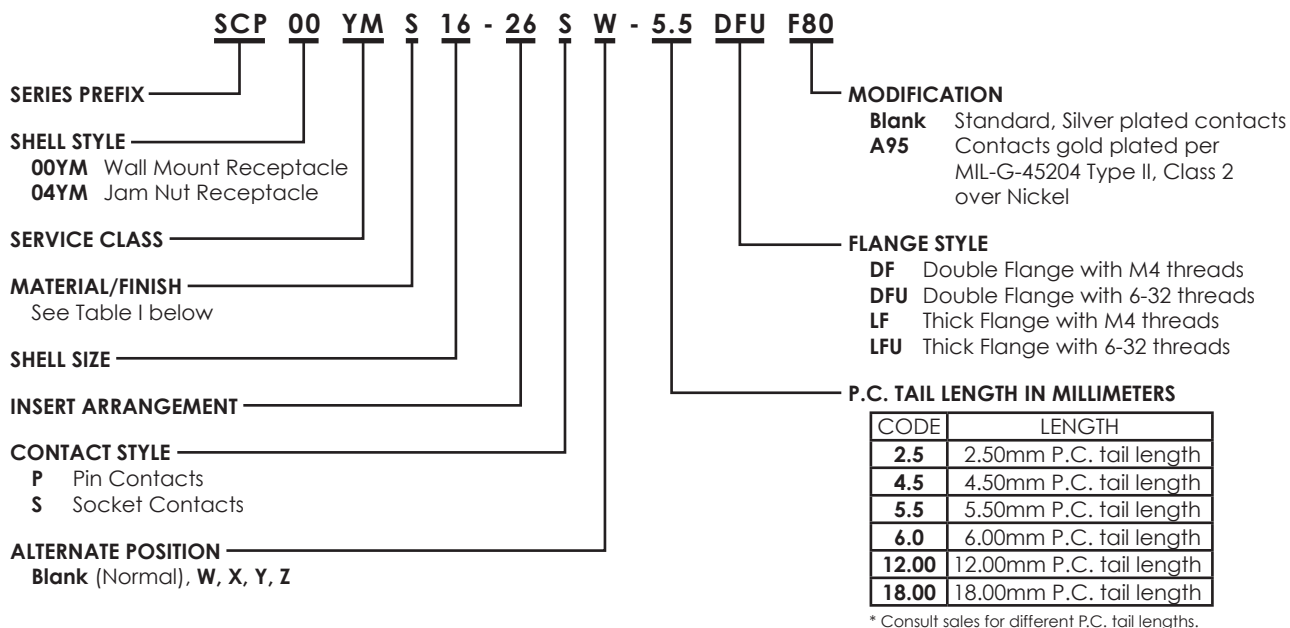


TABLE I

CODE	MATERIAL	FINISH
A	Aluminum	Black anodize
B	Aluminum	Black Cadmium, 48 hr salt spray
C	Aluminum	Bright Cadmium, 48 hr salt spray
D	Aluminum	Bright Cadmium over electroless nickel, 500 hr salt spray
E	Aluminum	Bright Cadmium over electroless nickel
F	Aluminum	Cadmium Gold Iridite, 48 hr salt spray
G	Aluminum	Cadmium Gold Iridite over electroless nickel, 500 hr salt spray
J	Aluminum	Olive Drab Cadmium, 48 hr salt spray
K	Aluminum	Olive Drab Cadmium over electroless nickel, 500 hr salt spray
L	Aluminum	Olive Drab Cadmium over electroless nickel
M	Aluminum	Electroless Nickel
N	Aluminum	Hard Anodize
P	303 Stainless steel	Black Cadmium
R	303 Stainless steel	Electrodeposited Nickel
S	303 Stainless steel	Passivated
T	316 Stainless steel	Passivated
Y	Aluminum	Zinc cobalt, olive drab color
Z	Aluminum	Zinc cobalt, black color



SCP00YM\*\*DF  
Double Flange



SCP00YM\*\*LF  
Thick Flange



SCP04YM\*\*DF  
Double Flange



SCP04YM\*\*LF  
Thick Flange

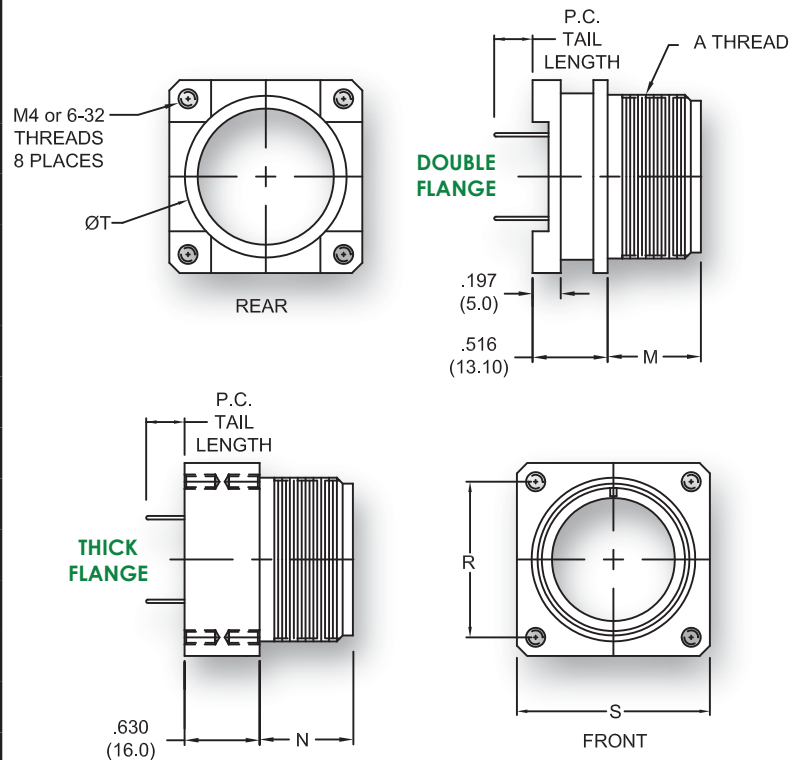


# WALL MOUNT RECEPTACLE

## SCPO0YM\*\*DF/SCPO0YM\*\*LF

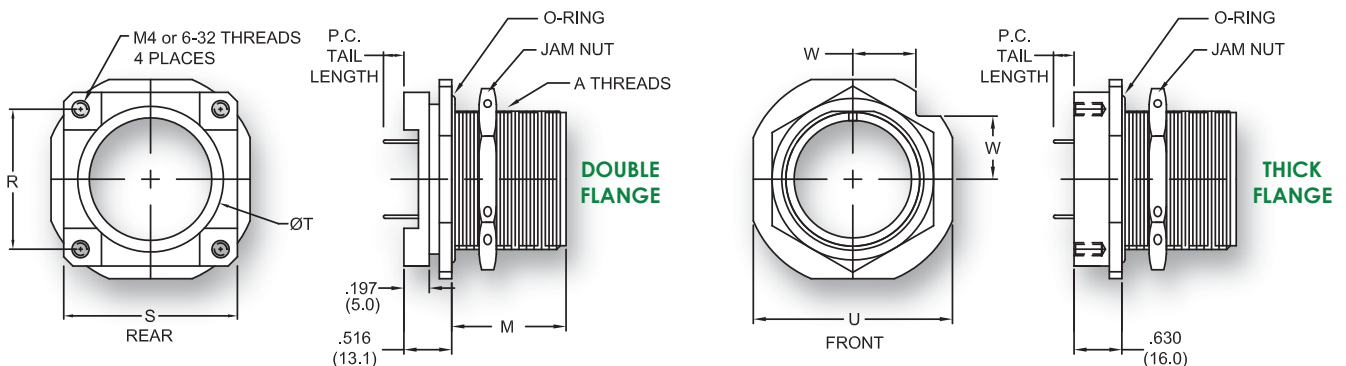
SHELL SIZE	A THREAD	M +.031 [0.79] -.000 [0.00]	N +.031 [0.79] -.000 [0.00]	R ±.005 [±0.13]	S ±.031 [±0.79]	T +.000 [0.00] -.006 [0.15]
10SL	5/8-24 UNEF	.562 [14.27]	.562 [14.27]	.719 [18.26]	1.000 [25.40]	.717 [18.21]
12S	3/4-20 UNEF	.562 [14.27]	.562 [14.27]	.812 [20.62]	1.094 [27.79]	.825 [20.96]
14S	7/8-20 UNEF	.562 [14.27]	.562 [14.27]	.906 [23.01]	1.188 [30.18]	.969 [24.61]
16S	1-20 UNEF	.562 [14.27]	.562 [14.27]	.969 [24.61]	1.281 [32.54]	1.079 [27.41]
16	1-20 UNEF	.750 [19.05]	.750 [19.05]	.969 [24.61]	1.281 [32.54]	1.079 [27.41]
16	1 1/8-18 UNEF	.750 [19.05]	.750 [19.05]	1.062 [26.97]	1.378 [35.00]	1.213 [30.81]
20	1 1/4-18 UNEF	.750 [19.05]	.750 [19.05]	1.156 [29.36]	1.496 [38.00]	1.346 [34.19]
22	1 3/8-18 UNEF	.750 [19.05]	.750 [19.05]	1.250 [31.75]	1.614 [41.00]	1.472 [37.39]
24	1 1/2-18 UNEF	.812 [20.62]	.812 [20.62]	1.375 [34.93]	1.752 [44.50]	1.610 [40.89]
28	1 3/4-18 UNS	.812 [20.62]	.812 [20.62]	1.562 [39.67]	2.000 [50.80]	1.639 [41.63]
32	2-18 UNS	.875 [22.23]	.875 [22.23]	1.750 [44.45]	2.244 [57.00]	2.102 [53.39]
36	2 1/4-18 UN	.875 [22.23]	.875 [22.23]	1.938 [49.23]	2.500 [63.50]	2.346 [59.59]
40	2 1/2-16 UN	.875 [22.23]	.875 [22.23]	2.188 [55.58]	2.752 [69.90]	2.579 [65.51]

Dimensions in brackets [ ] are in millimeters.



# JAM NUT RECEPTACLE

## SCP04YM\*\*DF/SCP04YM\*\*LF



SHELL SIZE	A THREADS	M ±.010 [±0.31]	N ±.010 [±0.31]	R ±.004 [±0.10]	S ±.031 [±0.79]	T +.000 [0.00] -.008 [0.15]	U ±.012 [±0.31]	W ±.010 [±0.25]
10SL	5/8-24 UNEF	.806 [20.47]	.806 [20.47]	.719 [18.26]	1.000 [25.40]	.717 [18.21]	1.252 [31.80]	.354 [8.99]
12S	3/4-20 UNEF	.806 [20.47]	.806 [20.47]	.812 [20.62]	1.094 [27.79]	.825 [20.96]	1.125 [28.58]	.397 [10.08]
14S	7/8-24 UNEF	.869 [22.07]	.869 [22.07]	.906 [23.01]	1.188 [30.18]	.969 [24.61]	1.626 [41.30]	.442 [11.23]
16S	1 - 20 UNEF	.869 [22.07]	.869 [22.07]	.969 [24.61]	1.281 [32.54]	1.079 [27.41]	1.748 [44.40]	.486 [12.34]
16	1 - 20 UNEF	1.055 [26.80]	1.055 [26.80]	.969 [24.61]	1.281 [32.54]	1.079 [27.41]	1.748 [44.40]	.486 [12.34]
18	1 1/8-18 UNEF	1.055 [26.80]	1.055 [26.80]	1.062 [26.97]	1.375 [34.93]	1.213 [30.81]	1.874 [47.60]	.575 [14.61]
20	1 1/4-18 UNEF	1.055 [26.80]	1.055 [26.80]	1.156 [29.36]	1.500 [38.10]	1.346 [34.19]	2.000 [50.80]	.619 [15.72]
22	1 3/8-18 UNEF	1.055 [26.80]	1.055 [26.80]	1.250 [31.75]	1.625 [41.28]	1.472 [37.39]	2.252 [57.20]	.663 [16.84]
24	1 1/2-18 UNEF	1.088 [27.64]	1.088 [27.64]	1.375 [34.93]	1.750 [44.45]	1.610 [40.89]	2.252 [57.20]	.707 [17.96]
28	1 3/4-18 UNS	1.088 [27.64]	1.088 [27.64]	1.562 [39.67]	2.000 [50.80]	1.839 [46.71]	2.500 [63.50]	.795 [20.19]
32	2-18 UNS	1.056 [26.82]	1.056 [26.82]	1.750 [44.45]	2.250 [57.15]	2.102 [53.39]	2.748 [69.80]	.884 [22.45]
36	2 1/4-18 UN	1.118 [28.40]	1.118 [28.40]	1.938 [49.23]	2.500 [63.50]	2.346 [59.59]	3.000 [76.20]	.972 [24.69]
40	2 1/2-16 UN	1.118 [28.40]	1.118 [28.40]	2.188 [55.58]	2.750 [69.85]	2.579 [65.51]	3.287 [83.49]	1.060 [26.92]

Dimensions in brackets [ ] are in millimeters.

# AS95234 REVERSE BAYONET

## Ordering Information

**SCP B 03 Y M 16 - 26 S W - 5.5 DF U F80**

**SERIES PREFIX** ————

**SHELL STYLE**  
**03YM** Wall Mount Receptacle  
**070YM** Jam Nut Receptacle

**SERVICE CLASS** ————

**SHELL SIZE** ————

**INSERT ARRANGEMENT** ————

**CONTACT STYLE**  
**P** Pin Contacts  
**S** Socket Contacts

**ALTERNATE POSITION** ————  
**Blank** (Normal), **W, X, Y, Z**

**MODIFICATION & PLATING CODES**

**FLANGE STYLE**  
**DF** Double Flange with M4 threads  
**DFU** Double Flange with 6-32 threads  
**LF** Thick Flange with M4 threads  
**LFU** Thick Flange with 6-32 threads

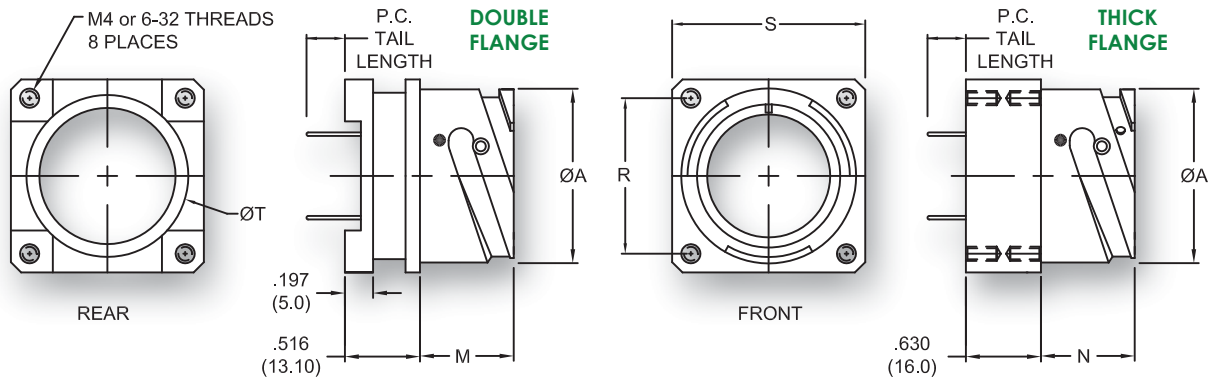
**P.C. TAIL LENGTH IN MILLIMETERS**

CODE	LENGTH
<b>2.5</b>	2.50mm P.C. tail length
<b>4.5</b>	4.50mm P.C. tail length
<b>5.5</b>	5.50mm P.C. tail length
<b>6.0</b>	6.00mm P.C. tail length
<b>12.00</b>	12.00mm P.C. tail length
<b>18.00</b>	18.00mm P.C. tail length

\* Consult sales for different P.C. tail lengths.

## WALL MOUNT RECEPTACLE

### SCP B03YM\*\*DF/SCP B03YM\*\*LF

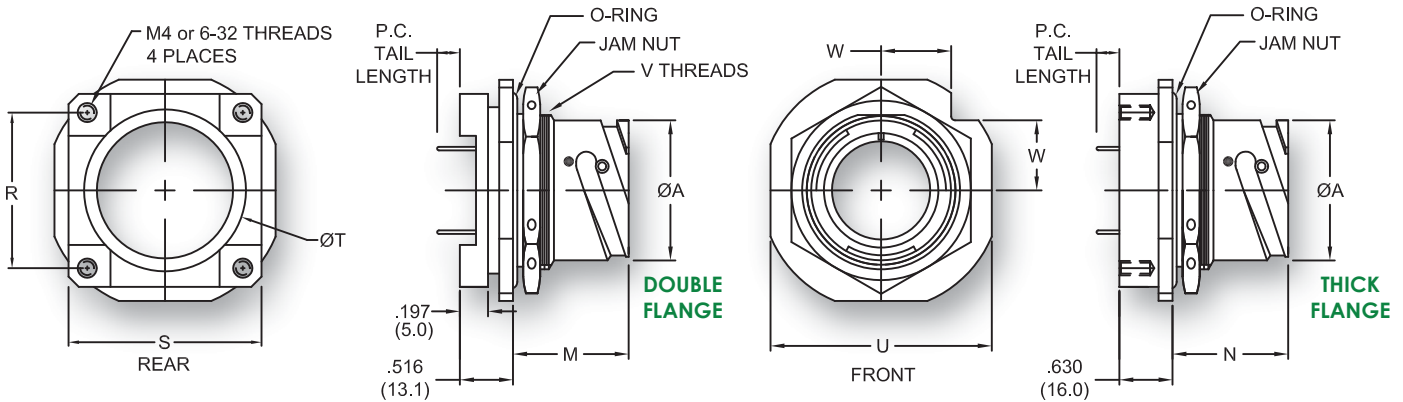


SHELL SIZE	A +.000 [0.00] -.006 [0.15]	M +.016 [0.40] -.000 [0.00]	N +.016 [0.40] -.000 [0.00]	R ±.004 [±0.10]	S ±.012 [±0.31]	T +.000 [0.00] -.006 [0.15]
10SL	.717 [18.21]	.717 [18.21]	.717 [18.21]	.717 [18.21]	1.000 [25.40]	.717 [18.21]
12S	.835 [21.21]	.717 [18.21]	.717 [18.21]	.809 [20.55]	1.100 [27.94]	.825 [20.96]
14S	.969 [24.61]	.717 [18.21]	.717 [18.21]	.906 [23.01]	1.181 [30.00]	.969 [24.61]
16S	1.079 [27.41]	.717 [18.21]	.717 [18.21]	.969 [24.61]	1.280 [32.51]	1.079 [27.41]
16	1.079 [27.41]	.907 [23.04]	.907 [23.04]	.969 [24.61]	1.280 [32.51]	1.079 [27.41]
18	1.213 [30.81]	.907 [23.04]	.907 [23.04]	1.063 [27.00]	1.378 [35.00]	1.213 [30.81]
20	1.346 [34.19]	.907 [23.04]	.907 [23.04]	1.157 [29.39]	1.496 [38.00]	1.346 [34.19]
22	1.472 [37.39]	.907 [23.04]	.907 [23.04]	1.252 [31.80]	1.614 [41.00]	1.472 [37.39]
24	1.610 [40.89]	.907 [23.04]	.907 [23.04]	1.374 [34.90]	1.752 [44.50]	1.610 [40.89]
28	1.839 [46.71]	.947 [24.05]	.947 [24.05]	1.563 [39.70]	2.000 [50.80]	1.839 [46.71]
32	2.102 [53.39]	.947 [24.05]	.947 [24.05]	1.752 [44.50]	2.244 [57.00]	2.102 [53.39]
36	2.346 [59.59]	.947 [24.05]	.947 [24.05]	1.937 [49.20]	2.500 [63.50]	2.346 [59.59]
40	2.579 [65.51]	.947 [24.05]	.947 [24.05]	2.185 [55.50]	2.752 [69.90]	2.579 [65.51]

Dimensions in brackets [ ] are in millimeters.

# JAM NUT RECEPTACLE

## SCPB07YM\*\*DF/SCPB07YM\*\*LF



SHELL SIZE	A +.000 [0.00] -.006 [0.15]	M +.016 [0.4] -.000 [0.0]	N +.016 [0.4] -.000 [0.0]	R ±.004 [±0.1]	S ±.012 [±0.31]	T +.000 [0.00] -.006 [0.15]	U ±.012 [±0.31]	V THREAD CLASS 2A	W MAX
10SL	.717 [18.21]	.965 [24.51]	.965 [24.51]	.717 [18.21]	1.000 [25.40]	.717 [18.21]	1.252 [31.80]	7/8-20 UNEF	.441 [11.20]
12S	.835 [21.21]	1.024 [26.01]	1.024 [26.01]	.809 [20.55]	1.100 [27.94]	.825 [20.96]	1.374 [34.90]	1-20 UNEF	.481 [12.22]
14S	.969 [24.61]	1.055 [26.80]	1.055 [26.80]	.906 [23.01]	1.181 [30.00]	.969 [24.61]	1.626 [41.30]	1 1/8-18 UNEF	.575 [14.61]
16S	1.079 [27.41]	1.055 [26.80]	1.055 [26.80]	.969 [24.61]	1.280 [32.51]	1.079 [27.41]	1.748 [44.40]	1 1/4-18 UNEF	.618 [15.70]
16	1.079 [27.41]	1.264 [32.11]	1.264 [32.11]	.969 [24.61]	1.280 [32.51]	1.079 [27.41]	1.748 [44.40]	1 1/4-18 UNEF	.618 [15.70]
18	1.213 [30.81]	1.327 [33.71]	1.327 [33.71]	1.063 [27.00]	1.378 [35.00]	1.213 [30.81]	1.874 [47.60]	1 3/8-18 UNEF	.661 [16.79]
20	1.346 [34.19]	1.327 [33.71]	1.327 [33.71]	1.157 [29.39]	1.496 [38.00]	1.346 [34.19]	2.000 [50.80]	1 1/2-18 UNEF	.709 [18.01]
22	1.472 [37.39]	1.327 [33.71]	1.327 [33.71]	1.252 [31.80]	1.614 [41.00]	1.472 [37.39]	2.252 [57.20]	1 5/6-16 UNEF	.795 [20.19]
24	1.610 [40.89]	1.327 [33.71]	1.327 [33.71]	1.374 [34.90]	1.752 [44.50]	1.610 [40.89]	2.252 [57.20]	1 3/4-18 UNEF	.795 [20.19]
28	1.839 [46.71]	1.386 [35.20]	1.386 [35.20]	1.563 [39.70]	2.000 [50.80]	1.639 [41.63]	2.500 [63.50]	2-18 UNS	.886 [22.50]
32	2.102 [53.39]	1.386 [35.20]	1.386 [35.20]	1.752 [44.50]	2.244 [57.00]	2.102 [53.39]	2.748 [69.80]	2 1/4-16 UN	.972 [24.69]
36	2.346 [59.59]	1.386 [35.20]	1.386 [35.20]	1.937 [49.20]	2.500 [63.50]	2.346 [59.59]	3.000 [76.20]	2 1/2-16 UN	1.059 [26.90]
40	2.579 [65.51]	1.386 [35.20]	1.386 [35.20]	2.185 [55.50]	2.752 [69.90]	2.579 [65.51]	3.287 [83.49]	2 3/4-16 UN	1.165 [29.59]

Dimensions in brackets [ ] are in millimeters.



SCPB03YM\*\*DF  
Double Flange



SCPB03YM\*\*LF  
Thick Flange



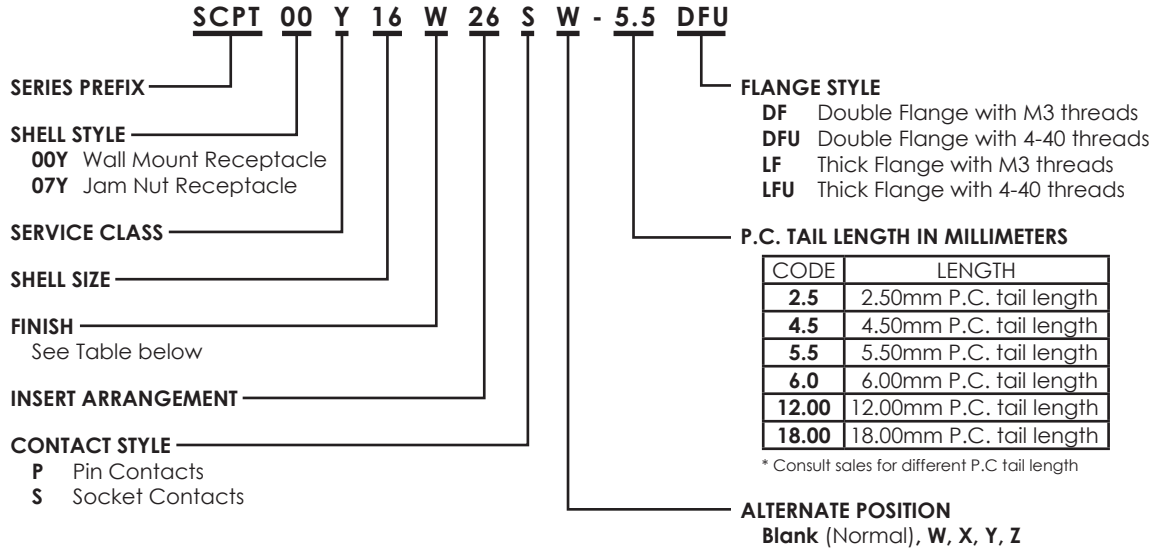
SCPB07YM\*\*DF  
Double Flange



SCPB07YM\*\*LF  
Thick Flange

# MIL-DTL-26482 SERIES I

## Ordering Information



### FINISH CODES

CODE	DESCRIPTION
-	Olive Drab Cadmium, 48 hours salt spray
A	Black Anodize - In accordance with Class 2 of AMS-A-8625, Type II
N	Electroless Nickel - In accordance with Class 2 of AMS-C-26074 or AMS 2404
W	Cadmium - Olive drab over suitable underplate, 500 hour salt spray
X	Nickel fluorocarbon polymer, Nickel with fluorocarbon polymer additives over a suitable underplate to withstand 1,000 hours of salt spray testing. Final finish shall be electrically conductive
Z	Zinc Nickel In accordance with ASTM B841 over suitable underplate to withstand 1,000 hours of salt spray testing. Color shall be black, conductive and non-reflective



SCPT03Y\*\*DF  
Double Flange



SCPT03Y\*\*LF  
Thick Flange



SCPT07Y\*\*DF  
Double Flange

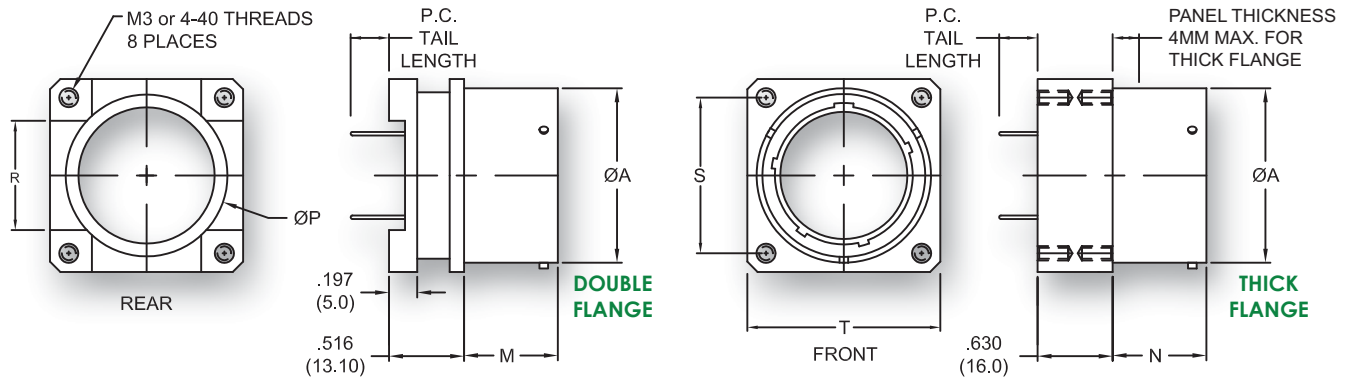


SCPT07Y\*\*LF  
Thick Flange



# WALL MOUNT RECEPTACLE

## SCPT00Y\*\*DF/SCPT00Y\*\*LF

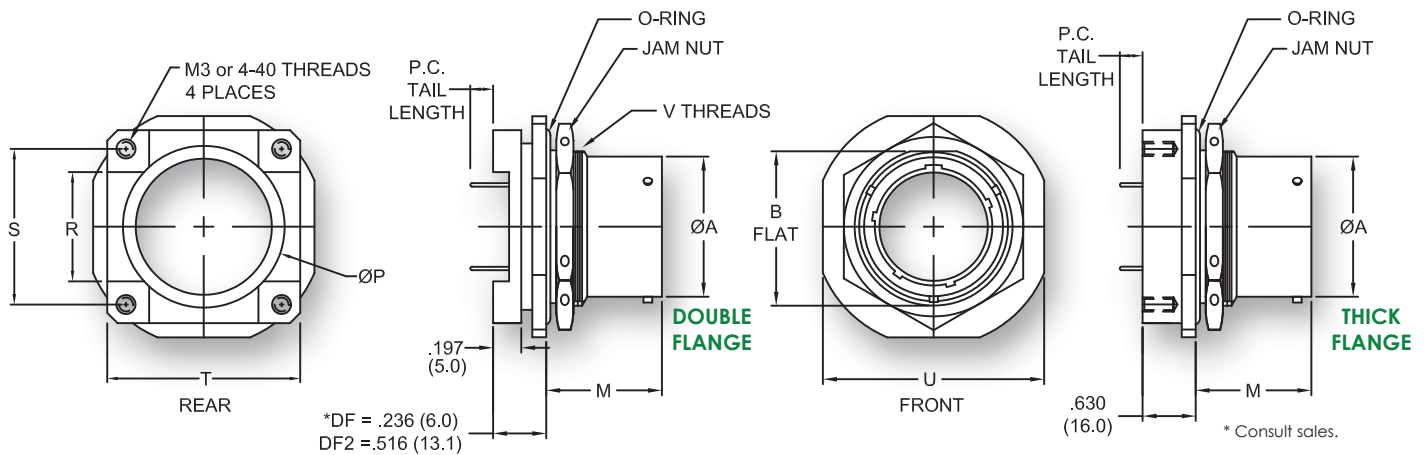


SHELL SIZE	A +.001 [0.03] -.005 [0.13]	M MAX	N MAX	P MAX	R MIN	S T.P.	T MAX
8	.473 [12.01]	.431 [10.95]	.475 [12.07]	.471 [11.96]	.239 [6.07]	.594 [15.09]	.828 [21.03]
10	.590 [14.99]	.431 [10.95]	.475 [12.07]	.588 [14.94]	.364 [9.25]	.719 [18.26]	.954 [24.23]
12	.750 [19.05]	.431 [10.95]	.475 [12.07]	.748 [18.99]	.455 [11.56]	.812 [20.63]	1.047 [26.59]
14	.875 [22.23]	.431 [10.95]	.475 [12.07]	.873 [22.17]	.551 [13.99]	.906 [23.01]	1.141 [28.98]
16	1.000 [25.40]	.431 [10.95]	.475 [12.07]	.998 [25.35]	.614 [15.60]	.969 [24.61]	1.234 [31.34]
18	1.125 [28.58]	.431 [10.95]	.475 [12.07]	1.123 [28.52]	.707 [17.96]	1.062 [26.97]	1.328 [33.73]
20	1.250 [31.75]	.556 [14.12]	.592 [15.04]	1.248 [31.70]	.801 [20.35]	1.156 [29.36]	1.453 [36.91]
22	1.375 [34.93]	.556 [14.12]	.592 [15.04]	1.373 [34.87]	.895 [22.73]	1.250 [31.75]	1.578 [40.08]
24	1.500 [38.10]	.599 [14.96]	.640 [16.26]	1.498 [38.05]	1.020 [25.91]	1.375 [34.93]	1.703 [43.26]

Dimensions in brackets [ ] are in millimeters.

# JAM NUT RECEPTACLE

## SCPT07Y\*\*DF/SCPT07Y\*\*LF

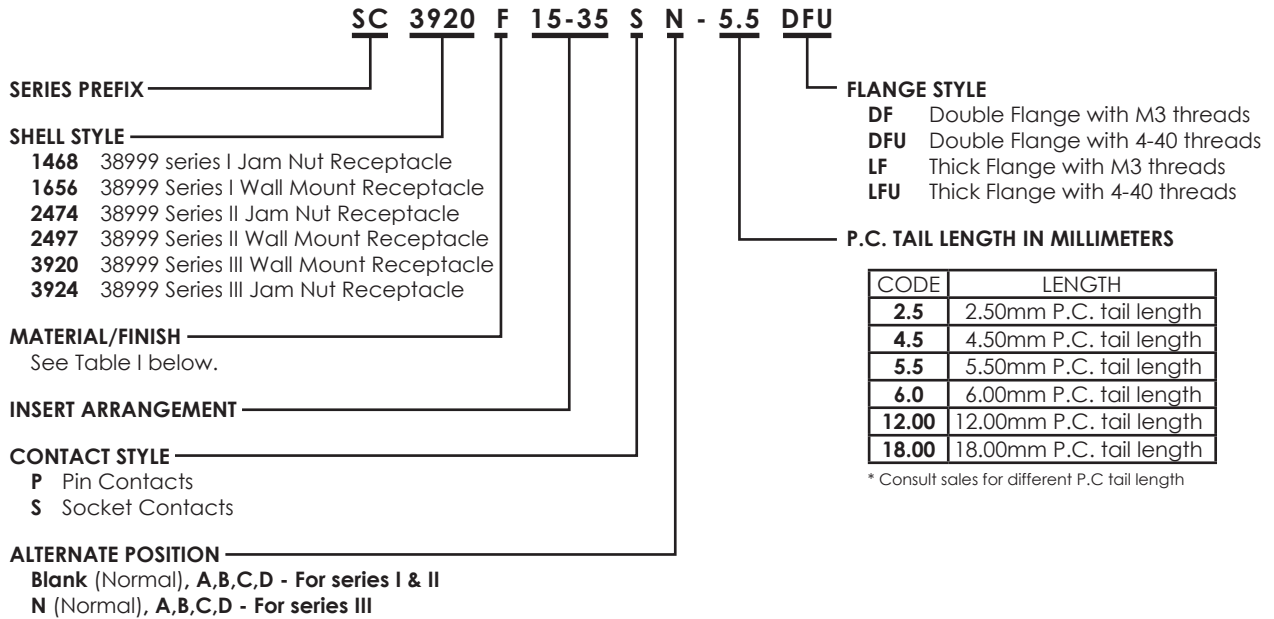


SHELL SIZE	A +.001 -.005	M ±.010	P MAX	R MIN	S T.P.	T MAX	U MAX	V THREADS CLASS 2A
8	.473 [12.01]	.705 [17.91]	.471 [11.96]	.239 [6.07]	.594 [15.09]	.828 [21.03]	.954 [24.23]	.5625-24 UNEF
10	.590 [14.99]	.705 [17.91]	.588 [14.94]	.364 [9.25]	.719 [18.26]	.954 [24.23]	1.078 [27.38]	.6875-24 UNEF
12	.750 [19.05]	.705 [17.91]	.748 [18.99]	.455 [11.56]	.812 [20.63]	1.047 [26.59]	1.266 [32.16]	.8750-20 UNEF
14	.875 [22.23]	.705 [17.91]	.873 [22.17]	.551 [13.99]	.906 [23.01]	1.141 [28.98]	1.391 [35.33]	1.000-20 UNEF
16	1.000 [25.40]	.705 [17.91]	.998 [25.35]	.614 [15.60]	.969 [24.61]	1.234 [31.34]	1.516 [38.51]	1.125-18 UNEF
18	1.125 [28.58]	.705 [17.91]	1.123 [28.52]	.707 [17.96]	1.062 [26.97]	1.328 [33.73]	1.641 [41.68]	1.250-18 UNEF
20	1.250 [31.75]	.893 [22.68]	1.248 [31.70]	.801 [20.35]	1.156 [29.36]	1.453 [36.91]	1.828 [46.43]	1.375-18 UNEF
22	1.375 [34.93]	.893 [22.68]	1.373 [34.87]	.895 [22.73]	1.250 [31.75]	1.578 [40.08]	1.954 [49.63]	1.500-18 UNEF
24	1.500 [38.10]	.926 [23.52]	1.498 [38.05]	1.020 [25.91]	1.375 [34.93]	1.703 [43.26]	2.078 [52.78]	1.625-18 UNEF

Dimensions in brackets [ ] are in millimeters.

# MIL-DTL-38999 SERIES I, II, & III

## Ordering Information



**TABLE I**

CODE	DESCRIPTION	MATERIAL	FINISH
<b>C</b>	Environmental	Aluminum	Non-conductive anodize, black
<b>F</b>	Environmental	Aluminum	Electroless nickel
<b>K</b>	Environmental firewall	Stainless Steel	Passivated
<b>L</b>	Environmental	Stainless Steel	Electrodeposited nickel
<b>R</b>	Environmental	Aluminum	Electrodeposited nickel
<b>S</b>	Environmental	Stainless Steel	Electrodeposited nickel
<b>T</b>	Environmental	Aluminum	Nickel fluorocarbon polymer
<b>W</b>	Environmental	Aluminum	Cadmium olive drab 500 hr. salt spray
<b>X</b>	Environmental	Aluminum	Cadmium olive drab 1000 hr. salt spray
<b>Z</b>	Environmental	Aluminum	Zinc nickel, black, 500 hr.



SC1468\*\*DF  
Double Flange



SC1468\*\*LF  
Thick Flange



SC1656\*\*DF  
Double Flange

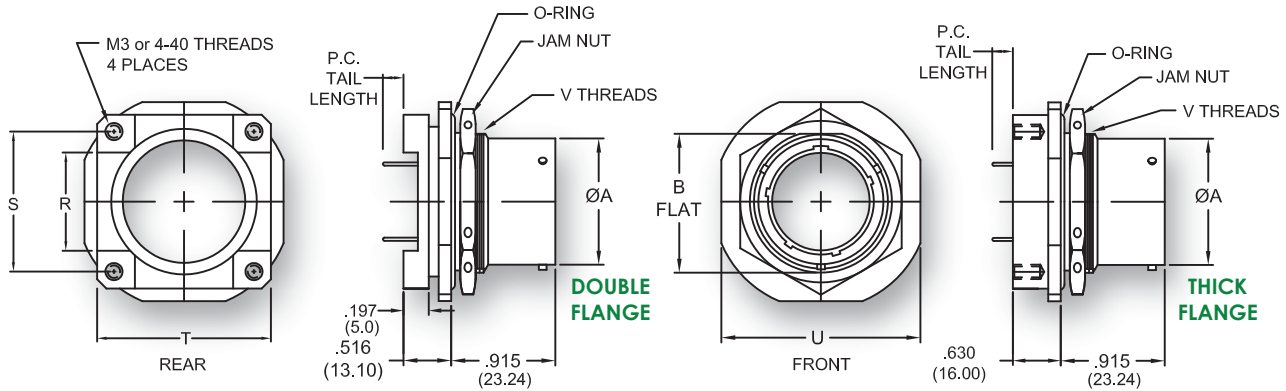


SC1656\*\*LF  
Thick Flange



# SERIES I – JAM NUT RECEPTACLE

## SC1468\*\*DF/SC1468\*\*LF

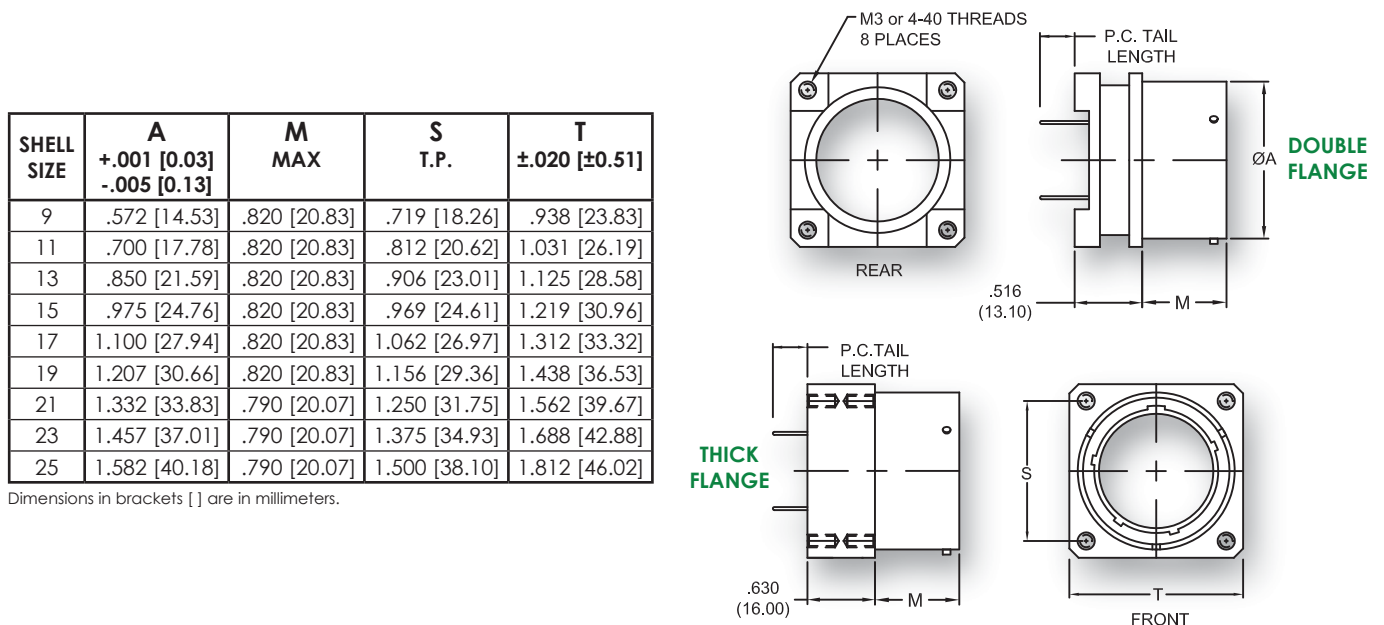


SHELL SIZE	A +.001 [0.03] -.005 [0.13]	B FLAT +.000 -.010	R MIN	S T.P.	T ±.020 [±0.51]	U MAX	V THREADS CLASS 2A
9	.572 [14.53]	0.655 [16.64]	.315 [6.00]	.719 [18.26]	.938 [23.63]	1.062 [26.97]	.6875-24 UNEF
11	.700 [17.78]	0.755 [19.18]	.394 [10.00]	.812 [20.62]	1.031 [26.19]	1.250 [31.75]	.8125-20 UNEF
13	.850 [21.59]	0.942 [23.93]	.512 [13.00]	.906 [23.01]	1.125 [26.58]	1.375 [34.93]	1.000-20 UNEF
15	.975 [24.76]	1.066 [27.08]	.591 [15.00]	.969 [24.61]	1.219 [30.96]	1.500 [36.10]	1.125-18 UNEF
17	1.100 [27.94]	1.191 [30.25]	.669 [17.00]	1.062 [26.97]	1.312 [33.32]	1.625 [41.28]	1.250-18 UNEF
19	1.207 [30.66]	1.316 [33.43]	.748 [19.00]	1.156 [29.36]	1.438 [36.53]	1.812 [46.02]	1.375-18 UNEF
21	1.332 [33.63]	1.441 [36.60]	.827 [21.00]	1.250 [31.75]	1.562 [39.67]	1.938 [49.23]	1.500-18 UNEF
23	1.457 [37.01]	1.566 [39.78]	.945 [24.00]	1.375 [34.93]	1.688 [42.88]	2.062 [52.37]	1.625-18 UNEF
25	1.582 [40.18]	1.691 [42.95]	1.024 [26.00]	1.500 [36.10]	1.812 [46.02]	2.168 [55.58]	1.750-18 UNS

Dimensions in brackets [ ] are in millimeters.

# SERIES I – WALL MOUNT RECEPTACLE

## SC1656\*\*DF/SC1656\*\*LF

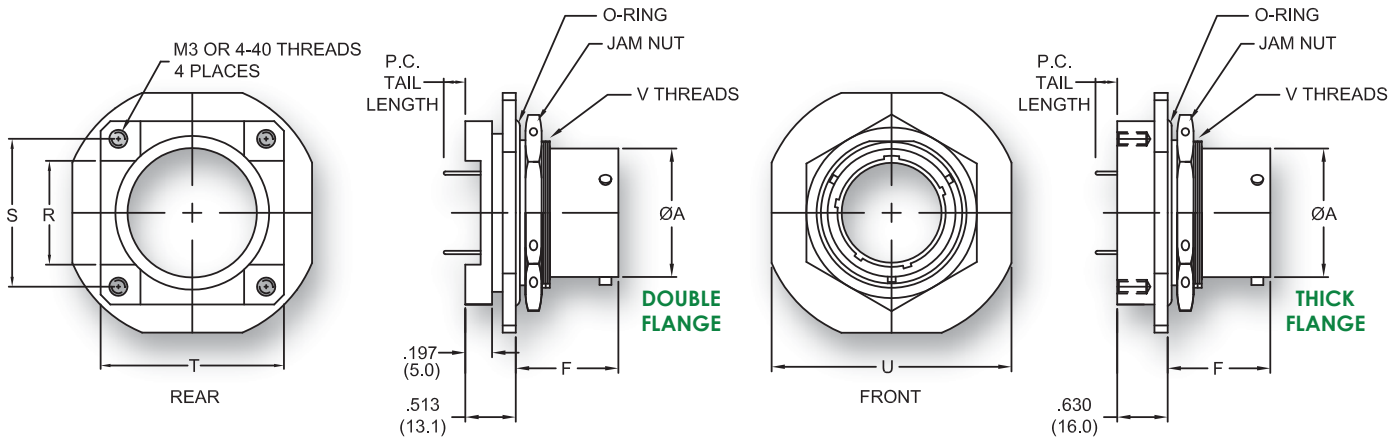


SHELL SIZE	A +.001 [0.03] -.005 [0.13]	M MAX	S T.P.	T ±.020 [±0.51]
9	.572 [14.53]	.820 [20.83]	.719 [18.26]	.938 [23.83]
11	.700 [17.78]	.820 [20.83]	.812 [20.62]	1.031 [26.19]
13	.850 [21.59]	.820 [20.83]	.906 [23.01]	1.125 [28.58]
15	.975 [24.76]	.820 [20.83]	.969 [24.61]	1.219 [30.96]
17	1.100 [27.94]	.820 [20.83]	1.062 [26.97]	1.312 [33.32]
19	1.207 [30.66]	.820 [20.83]	1.156 [29.36]	1.438 [36.53]
21	1.332 [33.83]	.790 [20.07]	1.250 [31.75]	1.562 [39.67]
23	1.457 [37.01]	.790 [20.07]	1.375 [34.93]	1.688 [42.88]
25	1.582 [40.18]	.790 [20.07]	1.500 [38.10]	1.812 [46.02]

Dimensions in brackets [ ] are in millimeters.

# JAM NUT RECEPTACLE – SERIES II

## SC2474\*\*DF/SC2474\*\*LF

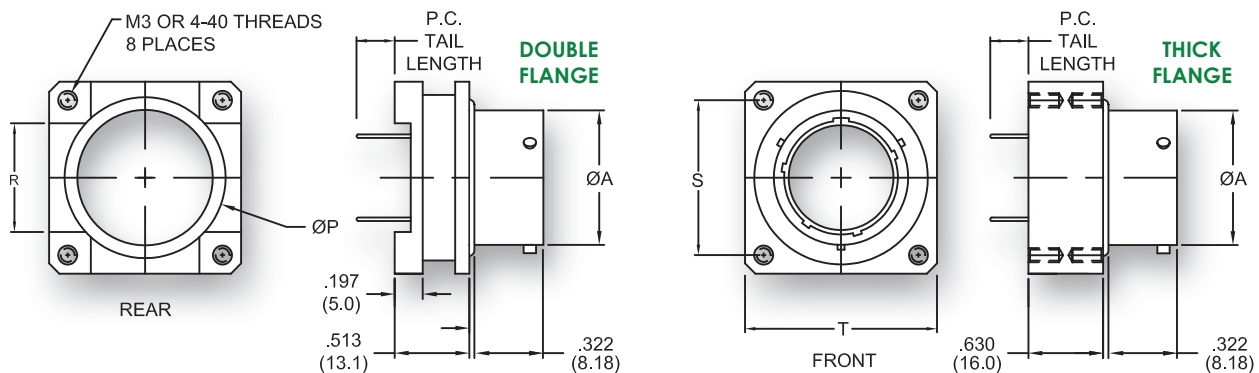


SHELL SIZE	$\varnothing A$ +.001 [0.03] -.005 [0.13]	F $\pm .005 [\pm 0.13]$	R MIN	S T.P.	T MAX	U $\pm .016 [\pm 0.40]$	V THREADS CLASS 2A
8	.473 [12.01]	.438 [11.13]	.315 [8.00]	.594 [15.09]	.828 [21.03]	1.250 [31.75]	.875-20 UNEF
10	.590 [14.99]	.438 [11.13]	.394 [10.00]	.719 [16.26]	.954 [24.23]	1.375 [34.93]	1.000-20 UNEF
12	.750 [19.05]	.438 [11.13]	.512 [13.00]	.812 [20.62]	1.047 [26.59]	1.500 [36.10]	1.125-18 UNEF
14	.875 [22.22]	.438 [11.13]	.591 [15.00]	.906 [23.01]	1.141 [28.98]	1.625 [41.28]	1.250-18 UNEF
16	1.000 [25.40]	.438 [11.13]	.669 [17.00]	.969 [24.61]	1.234 [31.34]	1.781 [45.24]	1.375-18 UNEF
18	1.125 [28.57]	.438 [11.13]	.748 [19.00]	1.062 [26.97]	1.328 [33.73]	1.890 [48.01]	1.500-18 UNEF
20	1.250 [31.75]	.464 [11.79]	.827 [21.00]	1.156 [29.36]	1.453 [36.91]	2.016 [51.21]	1.625-18 UNEF
22	1.375 [34.92]	.464 [11.79]	.945 [24.00]	1.250 [31.75]	1.578 [40.08]	2.140 [54.36]	1.750-18 UNS
24	1.500 [36.10]	.464 [11.79]	1.024 [26.00]	1.375 [34.92]	1.703 [43.26]	2.265 [57.53]	1.875-16 UN

Dimensions in brackets [ ] are in millimeters.

# WALL MOUNT RECEPTACLE – SERIES II

## SC2497\*\*DF/SC2497\*\*LF

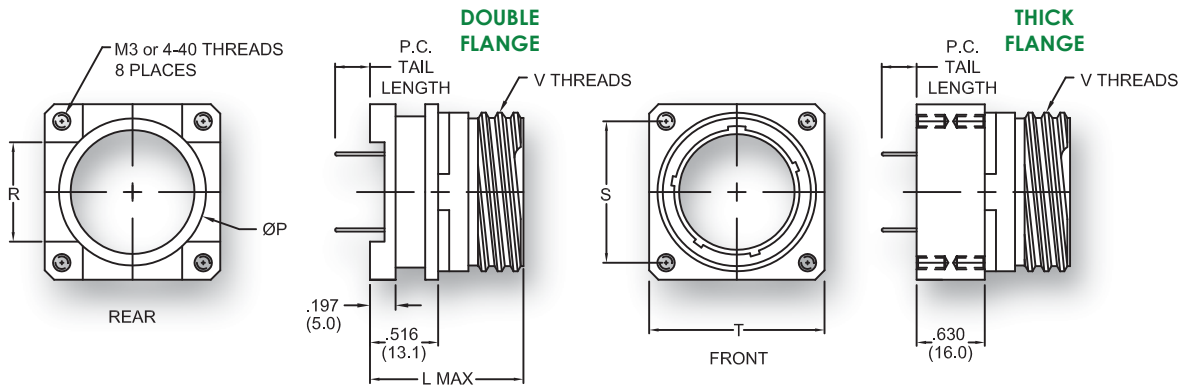


SHELL SIZE	$\varnothing A$ +.001 [0.03] -.005 [0.13]	P $\pm .005 [\pm 0.13]$	R +.008 [0.20] -.000 [0.00]	S T.P.	T MAX
8	.473 [12.01]	.520 [13.20]	.315 [8.00]	.594 [15.09]	.828 [21.03]
10	.590 [14.99]	.661 [16.80]	.394 [10.00]	.719 [18.26]	.954 [24.23]
12	.750 [19.05]	.795 [20.20]	.512 [13.00]	.812 [20.62]	1.047 [26.59]
14	.875 [22.22]	.937 [23.80]	.591 [15.00]	.906 [23.01]	1.141 [28.98]
16	1.000 [25.40]	1.024 [26.00]	.669 [17.00]	.969 [24.61]	1.234 [31.34]
18	1.125 [28.57]	1.161 [29.50]	.748 [19.00]	1.062 [26.97]	1.328 [33.73]
20	1.250 [31.75]	1.268 [32.20]	.827 [21.00]	1.156 [29.36]	1.453 [36.91]
22	1.375 [34.92]	1.398 [35.50]	.945 [24.00]	1.250 [31.75]	1.578 [40.08]
24	1.500 [38.10]	1.520 [38.60]	1.024 [26.00]	1.375 [34.92]	1.703 [43.26]

Dimensions in brackets [ ] are in millimeters.

# SERIES III – WALL MOUNT RECEPTACLE

## SC3920\*\*DF/SC3920\*\*LF

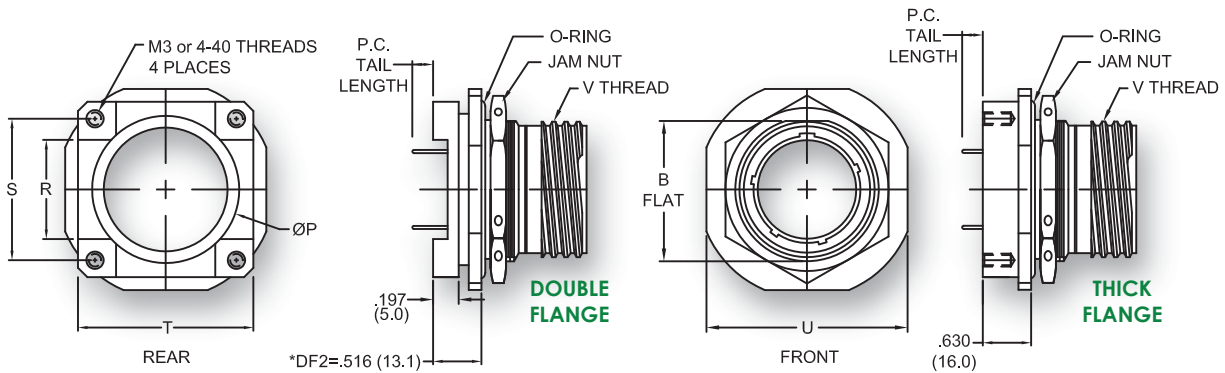


SHELL SIZE	L MAX	P ±.005 [±0.13]	R +.008 [0.20] - .000 [0.00]	S T.P.	T ±.010 [±0.25]	V THREAD, 2A 0.1 P-0.3L-TS
9	1.310 [33.28]	.520 [13.20]	.315 [8.00]	.630 [16.00]	.938 [23.83]	.6250
11	1.310 [33.28]	.661 [16.80]	.394 [10.00]	.719 [18.26]	1.031 [26.19]	.7500
13	1.310 [33.28]	.795 [20.20]	.512 [13.00]	.812 [20.62]	1.125 [28.58]	.8750
15	1.310 [33.28]	.937 [23.80]	.591 [15.00]	.906 [23.01]	1.219 [30.96]	1.0000
17	1.310 [33.28]	1.024 [26.00]	.669 [17.00]	1.028 [26.10]	1.312 [33.32]	1.1875
19	1.310 [33.28]	1.161 [29.50]	.748 [19.00]	1.072 [27.24]	1.438 [36.53]	1.2500
21	1.310 [33.28]	1.268 [32.20]	.827 [21.00]	1.156 [29.36]	1.562 [39.67]	1.3750
23	1.310 [33.28]	1.398 [35.50]	.945 [24.00]	1.250 [31.75]	1.688 [42.88]	1.5000
25	1.310 [33.28]	1.520 [38.60]	1.024 [26.00]	1.375 [34.93]	1.812 [46.02]	1.6250

Dimensions in brackets [ ] are in millimeters.

# SERIES III – JAM NUT RECEPTACLE

## SC3924\*\*DF/SC3924\*\*LF



\* Consult sales.

SHELL SIZE	B FLAT +.004 [0.10] - .006 [0.15]	P ±.005 [±0.13]	R +.008 [0.20] - .004 [0.10]	S T.P.	T ±.010 [±0.25]	U MAX	V THREAD, 2A 0.1P-0.3L-TS
9	.651 [16.53]	.520 [13.20]	.315 [8.00]	.630 [16.00]	.938 [23.63]	1.063 [27.00]	.6250
11	.751 [19.07]	.661 [16.80]	.394 [10.00]	.719 [18.26]	1.031 [26.19]	1.252 [31.80]	.7500
13	.938 [23.82]	.795 [20.20]	.512 [13.00]	.812 [20.62]	1.125 [28.58]	1.374 [34.90]	.8750
15	1.062 [26.97]	.937 [23.80]	.591 [15.00]	.906 [23.01]	1.219 [30.96]	1.500 [38.10]	1.0000
17	1.187 [30.15]	1.024 [26.00]	.669 [17.00]	1.028 [26.10]	1.312 [33.32]	1.626 [41.30]	1.1875
19	1.312 [33.32]	1.161 [29.50]	.748 [19.00]	1.072 [27.24]	1.438 [36.53]	1.811 [46.00]	1.2500
21	1.437 [36.50]	1.278 [32.20]	.827 [21.00]	1.156 [29.36]	1.562 [39.67]	1.937 [49.20]	1.3750
23	1.562 [39.67]	1.398 [35.50]	.945 [24.00]	1.250 [31.75]	1.688 [42.88]	2.063 [52.40]	1.5000
25	1.687 [42.85]	1.520 [38.60]	1.024 [26.00]	1.375 [34.93]	1.812 [46.02]	2.189 [55.60]	1.6250

Dimensions in brackets [ ] are in millimeters.

# SPACECRAFT COMPONENTS CORP.

Your Connector Consultant Since 1962

## Try Our Other Connector Products



SCPT 26482 STYLE  
SC1 38999 SERIES I  
SC2 38999 SERIES II  
SC39 38999 SERIES III  
(CATALOG 202)



SCPB SERIES  
(CATALOG 302)



CONNECTOR ACCESSORIES  
(CATALOG 401)



## Get All of Our Catalogs & Product Brochures on One Disc



CONNECTORS WITH INTEGRATED BACKSHELLS  
(CATALOG 601)



## SPACECRAFT COMPONENTS CORP.

**Headquarters**  
3040 Clayton Street  
North Las Vegas, NV 89032

Phone: 702.851.7600  
Fax: 702.851.7620

Email: salesinfo@spacecraft.com  
Web: www.spacecraft.com

COMING SOON...  
All Plastic Connectors  
CATALOG 701

**Florida Office**  
4577 Nob Hill Road  
Suite 106  
Sunrise, FL 33351  
Tel: 954.748.4540  
Fax: 954.748.4128

**Arizona Office**  
519 W. Lone Cactus Dr.  
Suite 401  
Phoenix, AZ 85027  
Tel: 623.580.1162  
Fax: 623.580.1165

**Italy Office**  
Spacecraft Components, Sp A  
Milan, Italy  
+39 (335) 719.4512

**Mexico Office**  
Av. Constituyentes 13-6 Col. Pueblo Nuevo  
Queretaro, Qro 76900  
+52 442 341 69 63

APR 2013  
SF-191