

SLIDE SWITCH

COMMERCIAL & MILITARY GRADES



Features:

- Single & double pole, double throw switch configuration
- Low level rating available with gold plate contacts & terminals
- 3-position center OFF with momentary or maintained switch action in any combination
- Dusttight to MIL-PRF-8805 Design 2
- Raised & flush button contours available
- Choice of button color
- FAA/PMA available (contact factory)
- RoHS & WEEE compliant

Standard Characteristics/Ratings:

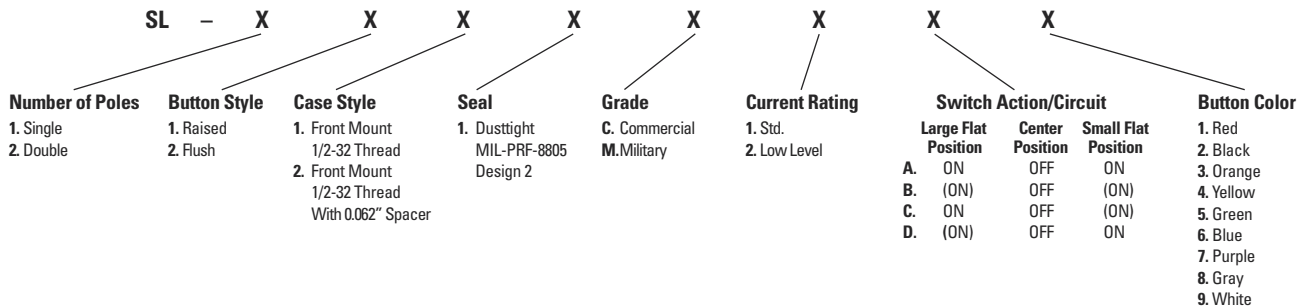
ELECTRICAL RATINGS:

Load	Sea Level @ 28VDC or 115VAC, 60/400Hz
Resistive	5A
Inductive	3A
Lamp	1A
DWV	1050Vrms
Low Level	10mA @ 30mV
Electrical Life:	100,000 cycles
Mechanical Life:	100,000 cycles
Seal:	Dusttight per MIL-PRF-8805 Design 2
Operating Temp Range:	-55°C to +85°C
Operating Force:	24 oz +/- 10 oz
Return Force:	10 oz +8 oz/-3 oz to center from maintained position
Total Travel:	0.120 inches max two directions
Overtravel:	0.010 inches min

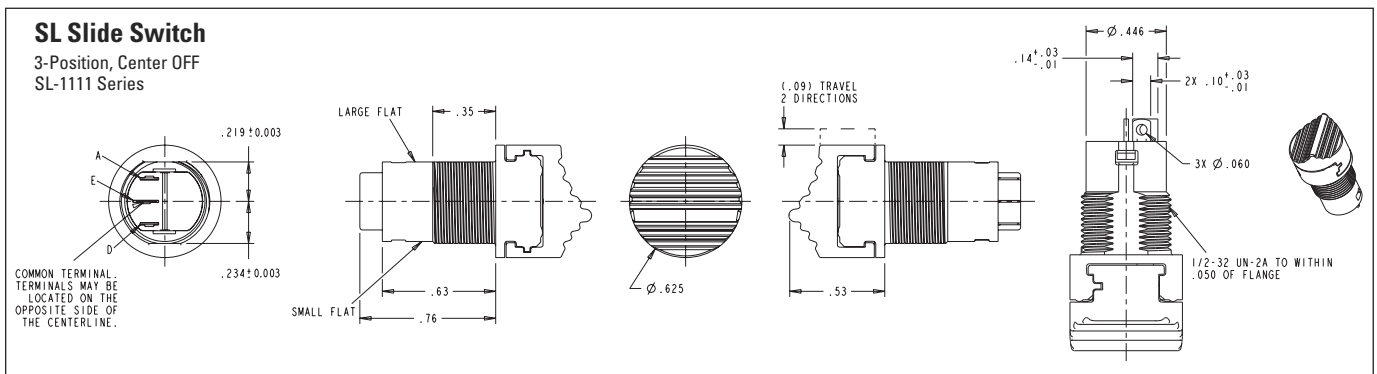
MATERIALS:

Case:	Thermoplastic
Button:	Thermoplastic
Terminals:	Beryllium copper with silver plate, gold flash over silver plate for low level
Terminal Hardware:	None provided
Mounting Hardware:	Hex nut and lockwasher

SL PART NUMBER CODE



NOTE: () denotes momentary action.



COMMERCIAL & MILITARY GRADES

