

MOMENTARY ACTION, ATTRACTIVE & RUGGED FOR WET & DUSTY ENVIRONMENTS

The P9 Dome series pushbutton switches feature a contoured dome style pushbutton and share similar size and characteristics to the P7 series. Major differences are plastic housing construction and the availability of a shorting bar contact arrangement. There are two button versions: low button profile and high button profile. The P9 comes with a threaded case for hex nut mounting or with a snap-in case. The switch series features short behind panel depth. They also offer excellent mechanical and electrical performance while operating under severe conditions found in demanding applications.

The P9 Dome series is offered in dusttight and moistureproof sealed construction. 1 million mechanical operations and an electrical life of 25,000 operations at full rated load of 5 amps resistive or 3 amps inductive.

Watertight sealing is available simply by adding a "W" suffix to the part number to specify IP68S rating.

The P9 Dome series is available in standard and low-force double break snap-action and non-snap shorting bar models. All are momentary action. Special contact variations are available. High contact pressure and unique contact design provide low contact resistance for low level switching capability as well as full rated service. Solder, PC Pin, and 0.110" Quick Connect termination options are available.

Positive tactile feedback signaling the operator when the switch is operated is available in snap-action models but not shorting bar models.

The P9 Dome series is a quality precision switch designed for use in panels, control grips, computers, instruments, heavy equipment and other demanding applications where attractive, rugged pushbutton switches are required.

## Features:

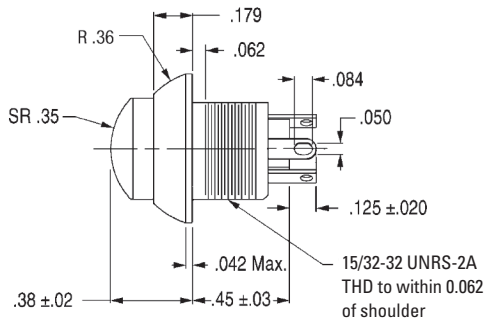
- **Attractive dome style button**
- **Two button heights**
- **Double break or shorting bar, momentary action**
- **All plastic housing & button construction**
- **Threaded body or snap-in panel mounting**
- **Withstands extreme shock & vibration**
- **Positive tactile feedback contact transfer on snap-action models**
- **Solder, PC Pin & 0.110" Quick Connect terminal styles**
- **Moistureproof & dusttight to IP64 or watertight to IP68S**



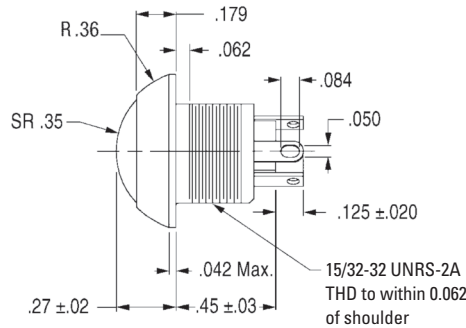
Standard Characteristics/Ratings:	
<b>ELECTRICAL RATINGS:</b>	
<b>Load</b>	Sea Level @ 28VDC or 115VAC, 60/400Hz
Resistive	5A
Inductive	3A
DWV	1050Vrms
Low Level	10mA @ 30mV
<b>Electrical Life:</b>	25,000 cycles 5A @ 28VDC resistive snap-action
<b>Mechanical Life:</b>	1,000,000 cycles
<b>Seal:</b>	IP64 or IP68S
<b>Operating Temp Range:</b>	-55°C to +85°C
<b>Operating Force:</b>	Standard: 1.7 lbs. +/- 0.5 lb. Low Force: 12 oz +/- 4 oz Shorting Bar: 18 oz +/- 6 oz
<b>Total Travel:</b>	0.080 inches max
<b>Overtravel:</b>	0.010 inches min
<b>MATERIALS:</b>	
<b>Case:</b>	Thermoplastic
<b>Button:</b>	Thermoplastic
<b>Terminals:</b>	Silver alloy with gold plate
<b>Terminal Hardware:</b>	None provided
<b>Mounting Hardware:</b>	Hex nut, lockwasher Panel gasket when applicable

# SEALED DOME PUSHBUTTON SWITCHES

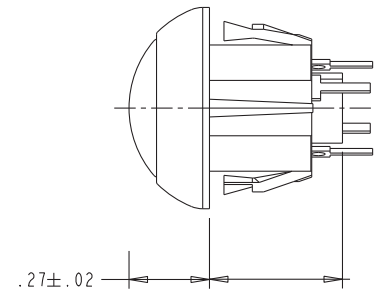
## CHOICE OF SNAP-ACTION & SHORTING BAR ACTION



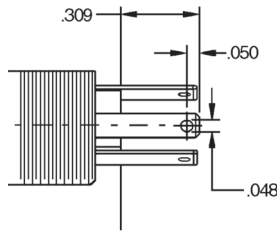
**Raised Dome Button Style**



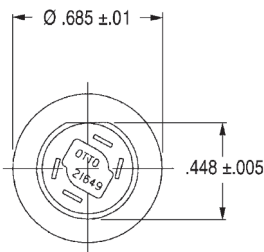
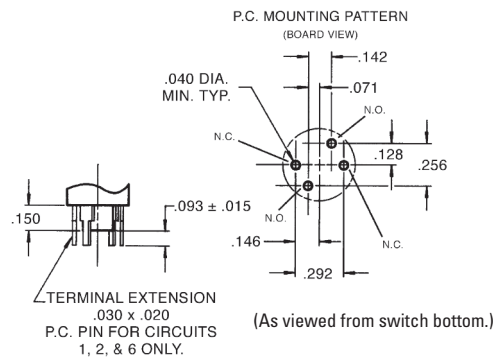
**Flush Dome Button Style**



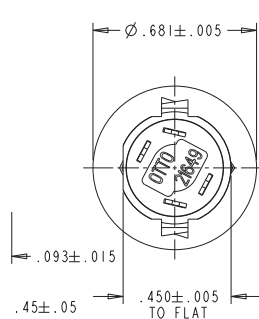
**Snap-In Case**  
(PC Terminals Shown)



**0.110" Quick Connect Detail**



**Solder Terminals**  
(Terminals not orientated to flat)



**PC Pin**  
(Orientated to case flats as shown)

Recommended Panel Openings		
*Panel Thickness	Recommended Ø	DIM. Across D-Flat
0.024*	0.505	0.460
0.031	0.505	0.460
0.118*	0.505	0.460
0.125	0.505	0.460

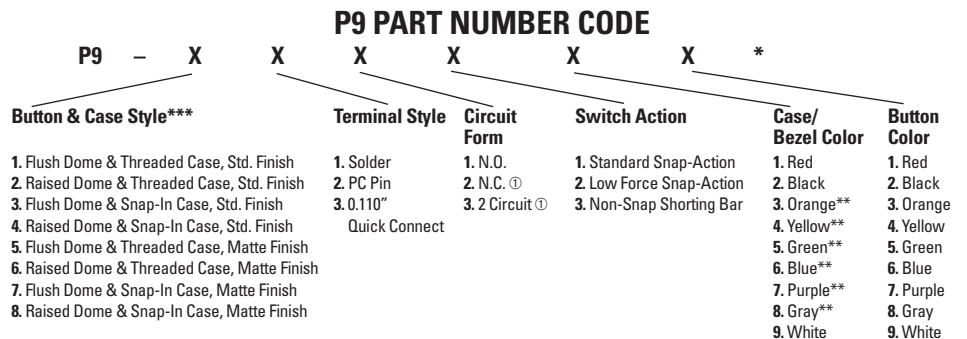
\* Must use panel gasket 401669 supplied with the switch.

- Snap-in case allows front panel mounting into 0.024" or 0.118" thick panels using panel gasket 401669 or into 0.031" and 0.125" thick panels
- 0.110" Quick Connect terminals allow reliable, solderless wire connections
- Flush Neoprene Boot P/N 402339
- Raised Neoprene Boot P/N 402246

## ORDERING INFORMATION:

Select the OTTO P9 series features that match your specific application. Standard and special features are shown at right. Specify your choice by building the OTTO Part Number code.

**Example:** P9-211121 specifies raised dome style button, threaded case, solder terminals, N.O. circuit form, standard snap-action, black case/bezel, red button.



① Not available in Shorting Bar version.

\* Add "W" suffix for watertight to IP68S.

\*\* Contact factory for minimum requirement.

\*\*\* Contact factory for std./matte button/case combination options.