

# ALTERNATE ACTION PUSHBUTTONS

**P5-D**  
ALTERNATE  
ACTION

ATTRACTIVE & RUGGED FOR WET & DUSTY ENVIRONMENTS

The rugged P5-D switch is an alternate action “push on, push off” pushbutton switch with contoured dome styling. With two design versions, a flush dome and raised dome button profile, the P5-D offers excellent mechanical and electrical performance while operating under severe conditions found in demanding applications.

The P5-D features unsealed, dusttight, moistureproof and watertight seal options. A mechanical life of 1 million cycles, 25,000 cycles at full load.

The P5-D is a quality precision, snap-action switch designed for use in panels, instruments and other demanding applications where attractive, rugged pushbutton switches are required.

“Push On, Push Off” action



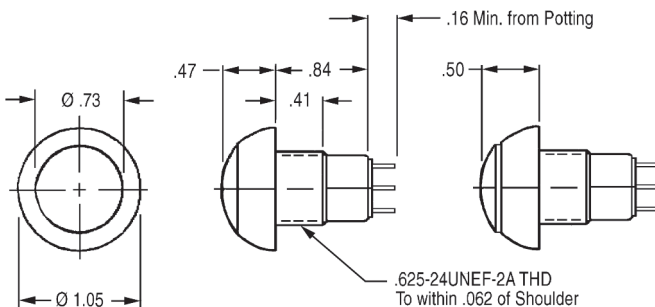
Flush Dome Button



## Features:

- Two contoured button styles
- Button sealed with patented “rolling sleeve” principle
- Contact area sealed at case & terminals
- Less than 25mΩ contact resistance
- Handles low level up to 10 amps
- Choice of nine button colors
- Moistureproof & dusttight to IP64 & MIL-PRF-8805 Design 2 or watertight to IP68S options
- Unsealed construction also available

Standard Characteristics/Ratings:	
<b>ELECTRICAL RATINGS:</b>	
Load	Sea Level @ 28VDC or 115VAC, 60/400Hz
Resistive	10A
Inductive	5A
Lamp	1A
Motor	3A
DWV	1050Vrms
<b>Electrical Life:</b>	25,000 cycles
<b>Mechanical Life:</b>	1,000,000 cycles
<b>Seal:</b>	IP64 & MIL-PRF-8805 Design 2 or IP68S
<b>Operating Temp Range:</b>	-55°C to +85°C
<b>Operating Force:</b>	3.0 lbs. +1/-0.5 lb.
<b>Total Travel:</b>	0.180 inches max
<b>Overtravel:</b>	0.012 inches min
<b>MATERIALS:</b>	
<b>Case:</b>	Anodized aluminum alloy
<b>Button:</b>	Thermoplastic
<b>Terminals:</b>	Brass with gold plate over silver plate
<b>Terminal Hardware:</b>	Screws, lockwashers and terminal lugs for screw terminal option
<b>Mounting Hardware:</b>	Hex nut, lockwasher



## P5-D PART NUMBER CODE

P5-D	X	X	X	X	X	X
<b>Button Style</b>	<b>Terminal Style/Rating</b>	<b>Circuit Form/Contact Material/Grade</b>	<b>Seal Level</b>	<b>Bezel Color</b>	<b>Button Color</b>	
1. Flush	1. Solder	1. SPST/Silver/Commercial	1. Unsealed	1. Clear	1. Red	
2. Raised	2. Screw ①	2. SPST/Gold/Commercial	2. Dusttight	2. Black	2. Black	
		3. SPDT/Silver/Commercial	3. Watertight		3. Orange	
		4. SPDT/Gold/Commercial			4. Yellow	
		5. SPST/Silver/Military Grade			5. Green	
		6. SPST/Gold/Military Grade			6. Blue	
		7. SPDT/Silver/Military Grade			7. Purple	
		8. SPDT/Gold/Military Grade			8. Gray	
					9. White	

① Screw terminals available on SPST circuit forms only.