

ALTERNATE ACTION, LED ILLUMINATED & SEALED

The LP5 offers the same rugged, sealed construction as the proven P5 series with the added benefit of reliable LED illumination.

The LP5 is a precision snap-action switch designed for use in off-highway, material handling, industrial controls, marine, medical and other demanding Commercial applications. Choose from the standard mounting styles and electrical ratings, or contact us for custom configurations.

Now you can design panels with both alternate and momentary action switches and have uniform panel appearance. The OTTO LP5 series features alternate action in the same pushbutton and housing configurations as the OTTO momentary LP3 series.

Push and the LP5 series switch turns "on." Push again and the LP5 switch turns "off." Positive tactile feedback is featured so the operator is clearly aware the switch mode has been actuated. The button returns to the original position after each actuation.

Features:

- **Watertight to IP68S; moistureproof & dusttight to IP64**
- **LED lighted with the ability to accommodate 2, 6, 12 & 24VDC power & includes reverse voltage protection**
- **Tall & dome style buttons in translucent white, red & amber permitting sublimated & pad printed legends**
- **Less than 25mΩ contact resistance**
- **Quick disconnect terminals**
- **15/32" & 5/8" thread, press fit & dome case styles available**
- **RoHS & WEEE compliant**



Standard Characteristics/Ratings:

ELECTRICAL RATINGS:

Load	Sea Level @ 28VDC or 115VAC, 60/400Hz
Resistive	5A
Inductive	3A
Lamp	1A
Motor	3A
DWV	1050Vrms
Low Level	10mA @ 30mV

Electrical Life: 25,000 cycles

LIGHTING:

Light Source Voltage (DC)	Actual Voltage Nominal (DC)	Voltage Max (DC)
2	2	2.6
6	7	8
12	13.5	14.5
24	28	28.6

Mechanical Life: 200,000 cycles

Seal: IP64 or IP68S

Operating Temp Range: -55°C to +85°C

Operating Force: 3.0 lbs. +1.0/-0.5 lb.

Total Travel: 0.180 inches max

Overtravel: 0.012 inches min

MATERIALS:

Case: Anodized aluminum alloy

Button: Thermoplastic

Terminals: Standard silver plate with optional gold plate for low level applications

Mounting Hardware: Hex nut, lockwasher and panel gasket when applicable

LP5 PART NUMBER CODE

LP5 - X X X X X - XX

Size	Case Style	Circuit Rating	Light Source Type* w/ Rev. Pol Protection	Seal Level	Case Color	Button Color	Legend Style
5. P5 Size L. Indicator Light	E. Exposed Dome F. Flush Dome R. Raised Dome 1. Press Fit Mount 3. 5/8" Thread Front Mount 4. 15/32" Thread Rear Mount 6. 5/8" Thread Rear Mount	0. Indicator Light 1. SPST/Std. 2. SPDT/Std. 3. SPST/Low Level 4. SPDT/Low Level	A. 2V Red LED B. 2V Green LED C. 2V Amber LED D. 6V Red LED E. 6V Green LED F. 6V Amber LED G. 12V Red LED H. 12V Green LED J. 12V Amber LED K. 24V Red LED L. 24V Green LED M. 24V Amber LED	1. Unsealed 2. Dusttight 3. Watertight	1. Silver 2. Black	A. Amber, Translucent (use Amber LED) R. Red, Translucent (use Red LED) W. White, Translucent	Refer to Legend Table for legend codes in Appendix. Legends will be printed in white on amber and red buttons and in black on white buttons.

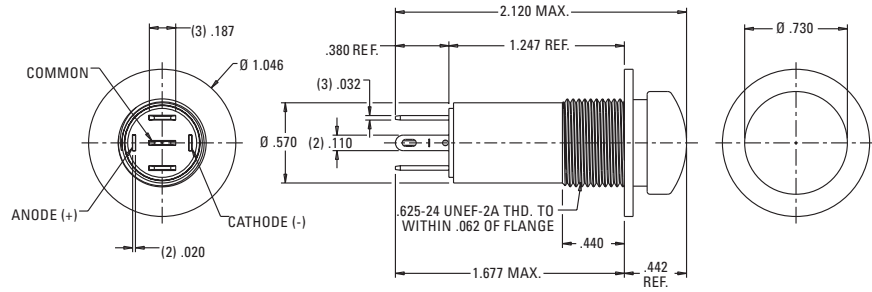
* For super bright LEDs, contact factory.

STOP HERE for illuminated switches without legends.

ALTERNATE ACTION, LED ILLUMINATED & SEALED

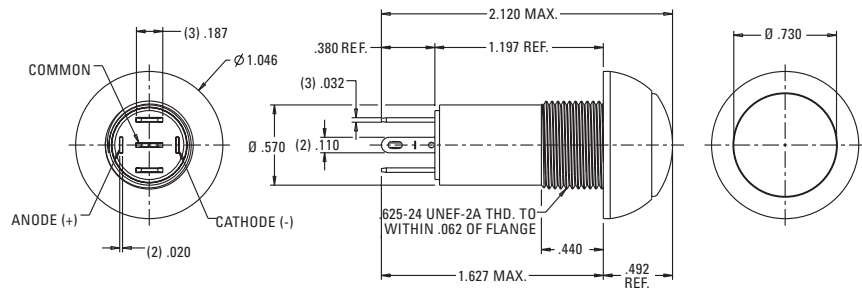
LP5-E

Alternate Action, Exposed Dome Button



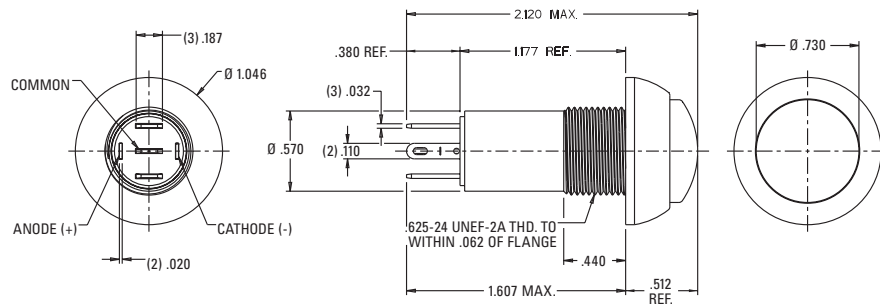
LP5-F

Alternate Action, Flush Dome Button



LP5-R

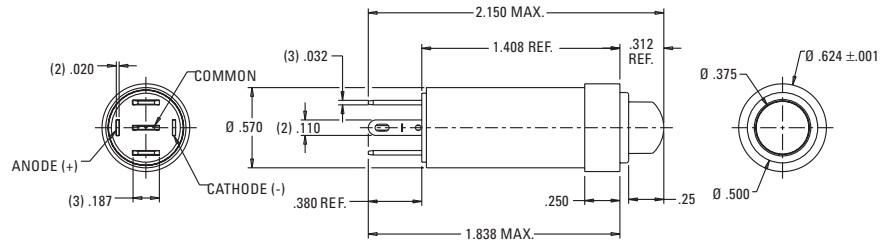
Alternate Action, Raised Dome Button



ALTERNATE ACTION, LED ILLUMINATED & SEALED

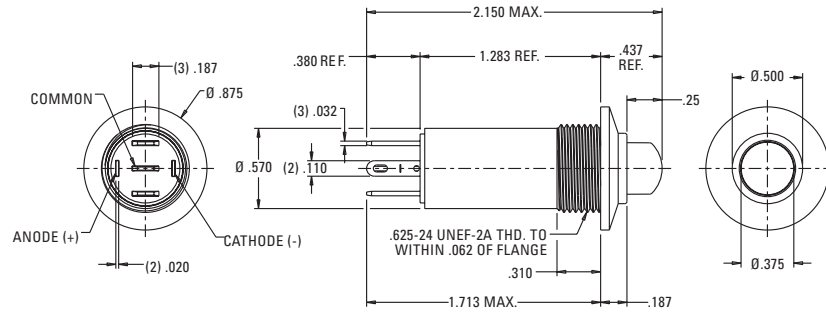
LP5-1

Alternate Action, Press Fit Mount



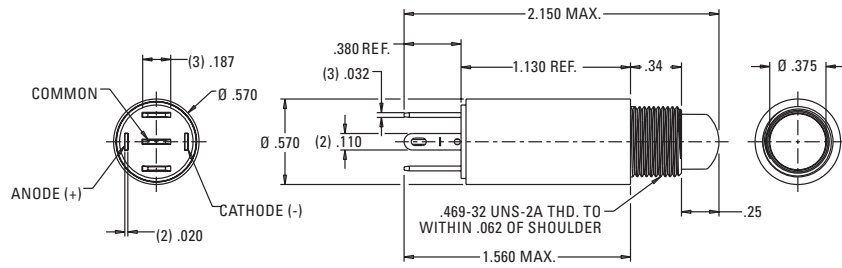
LP5-3

Alternate Action, 5/8" Threaded Front Mount



LP5-4

Alternate Action, 15/32" Threaded Rear Mount



LP5-6

Alternate Action, 5/8" Threaded Rear Mount

