



- Polarized, magnetic latching hermetically sealed relay

• Contact arrangement 1 PST/NO (DM) / 75 AMP + 1 PDT AUX

• Coil supply Direct current

- Available in SPACE and Hi-REL quality

PRINCIPAL TECHNICAL CHARACTERISTICS

Contacts rated at 75Amps / 28 Vdc

Weight 4.0 Oz

Dimensions of case 1.120 x 1.025 x 1.025 MAX

Finish case: Black, aero glaze Z306, electroless nickel plated [2]

CONTACT ELECTRICAL CHARACTERISTICS / CONTACT RATING

Minimum operating cycles	Contact rating per load type, auxiliary contact	Main contacts @ 28Vdc	Auxiliary contacts @ 28Vdc and 115 Vac, 400 Hz
20,000	Resistive	75A	2A
10,000	Inductive (L/R=5ms)	20A	1A
10,000	Lamp	10A	0.5A
10,000	Motor	20A	-

COIL CHARACTERISTICS (Vdc)

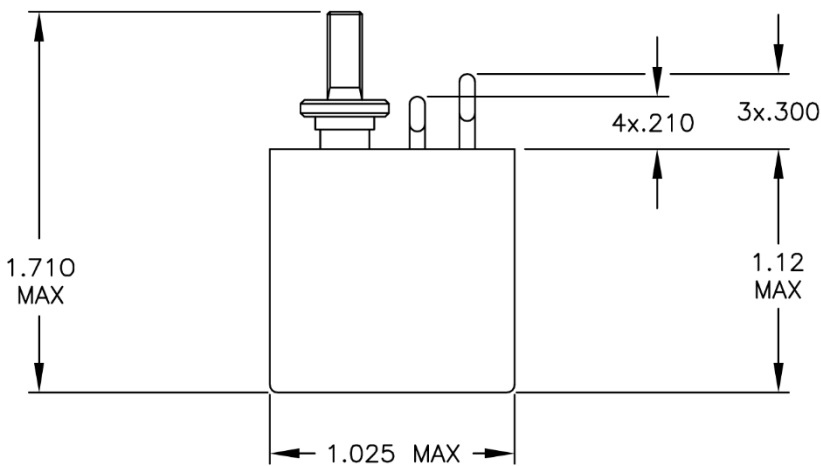
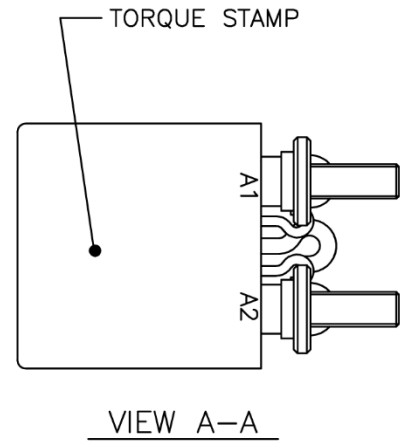
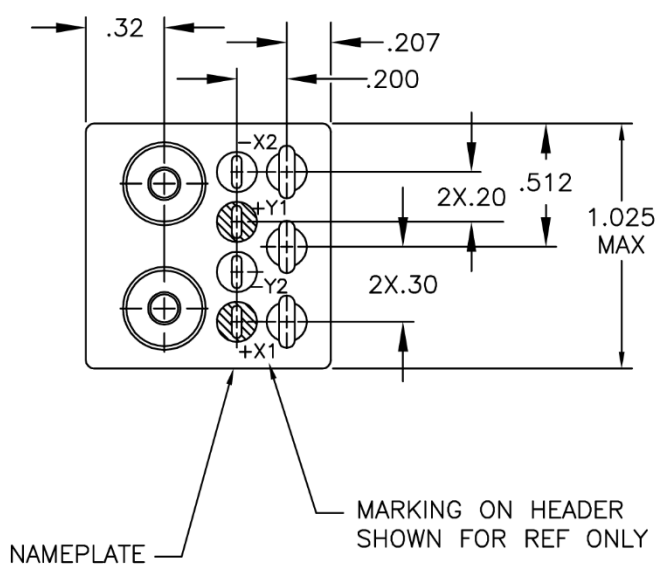
CODE	A	B	C	M	N	R	V
Nominal operating voltage	28	12	6	48	28	12	6
Maximum operating voltage at +125°C	29	14.5	7.3	50	29	14.5	7.3
Maximum pickup voltage (Cold coil)							
- Cold coil at +125° C	18	9	4.5	36	18	9	4.5
- During high temp test at +125° C	19.8	9.9	5	38	19.8	9.9	5
- During continuous current test at +125° C	22.5	11.25	5.7	42	22.5	11.25	5.7
Coil resistance $\Omega \pm 10\%$ +25° C except types "C" and "V" +20%, -10%	450	112	28	1500	450	112	28

GENERAL CHARACTERISTICS

Temperature range	-55°C to +120°C [2]
Dielectric	
Sea level	550 Vrms
After life (Sea level)	550 Vrms
Insulation resistance at 25°C, initial	1000 M Ω min
Insulation resistance at 25°C, after environmental tests	100 M Ω min
Sinusoidal vibration [1]	0.12" D.A., 10 Hz to 57 Hz 20 G's, 57 to 2000 Hz
Random vibration according to MIL-STD 202 method 214 [1]	1E (0.2G ² /Hz, 50 to 2000 Hz)
Shock [1]	50G / 11 ms
Acceleration	15 G's
Maximum contact opening time under vibration and shock	10 μ sec
Latch time at nominal voltage	20 ms max
Reset time at nominal voltage	20 ms max
Contact make bounce at nominal voltage	1ms max
Contact release break bounce	0.5 ms max
- auxiliary contacts @25°C	4 ms max

MOUNTING STYLES

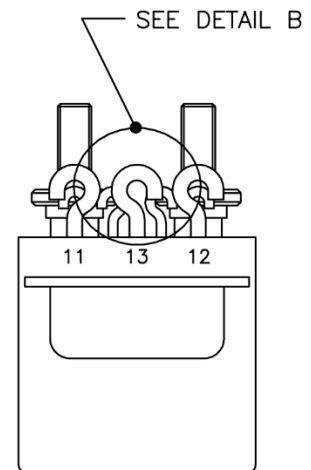
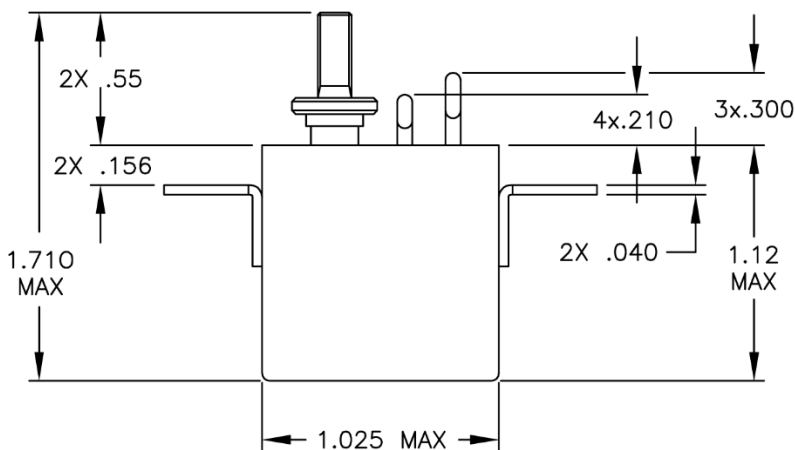
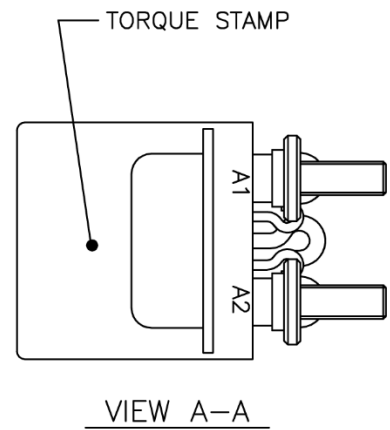
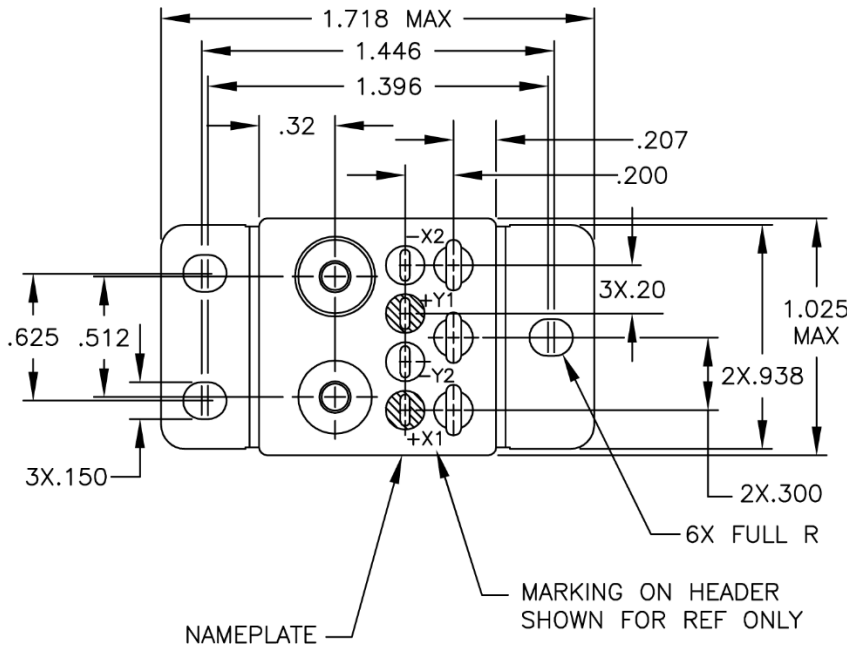
MOUNTING STYLE A



Dimensions in inch
Tolerances, unless otherwise specified
XXX ± 0.010 in
XX ± 0.03 in

MOUNTING STYLES

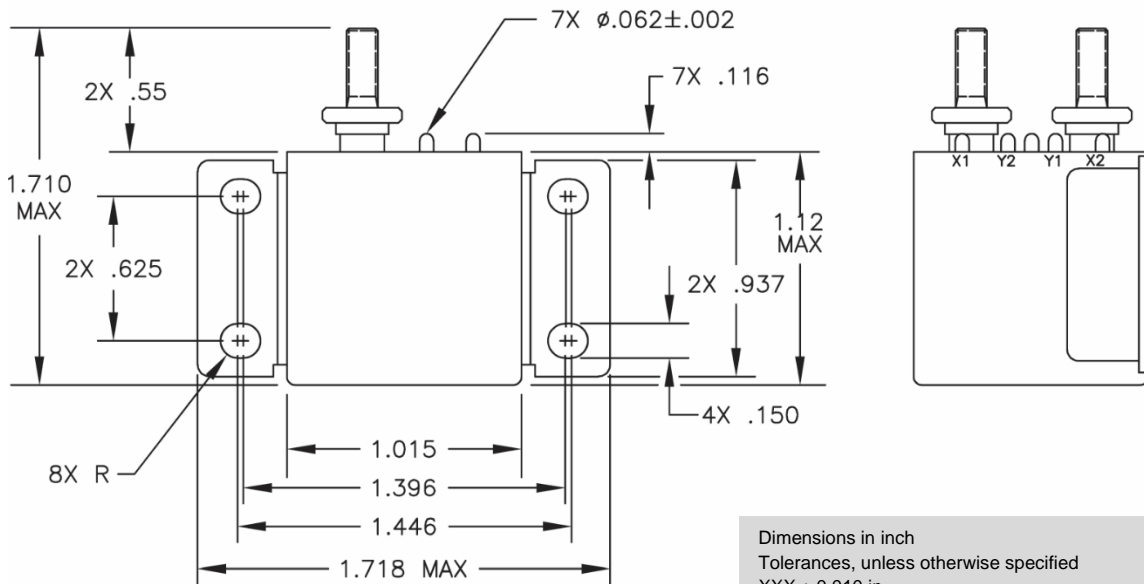
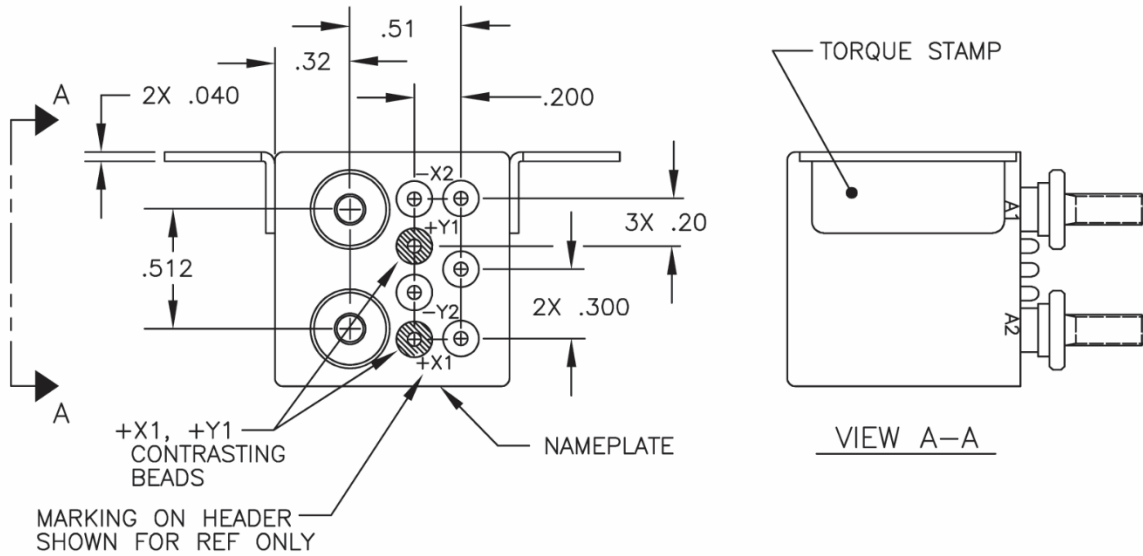
MOUNTING STYLE D



Dimensions in inch
Tolerances, unless otherwise specified
XXX ± 0.010 in
XX ± 0.03 in

MOUNTING STYLES

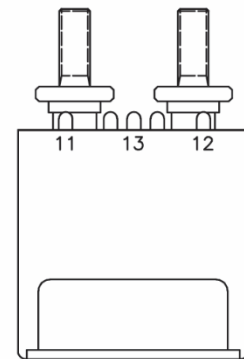
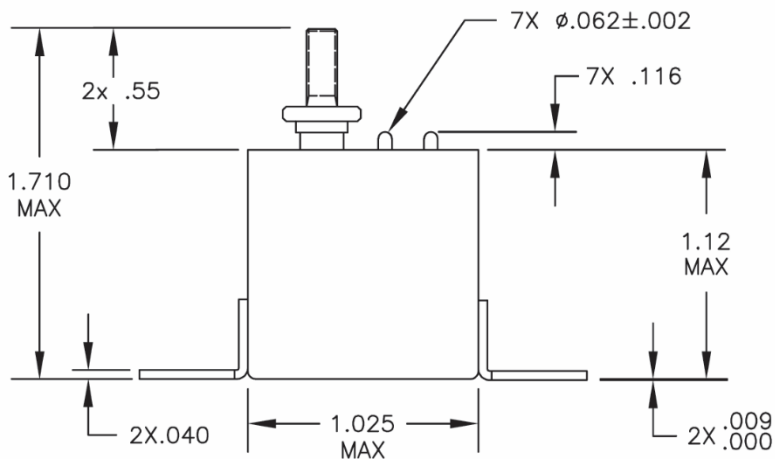
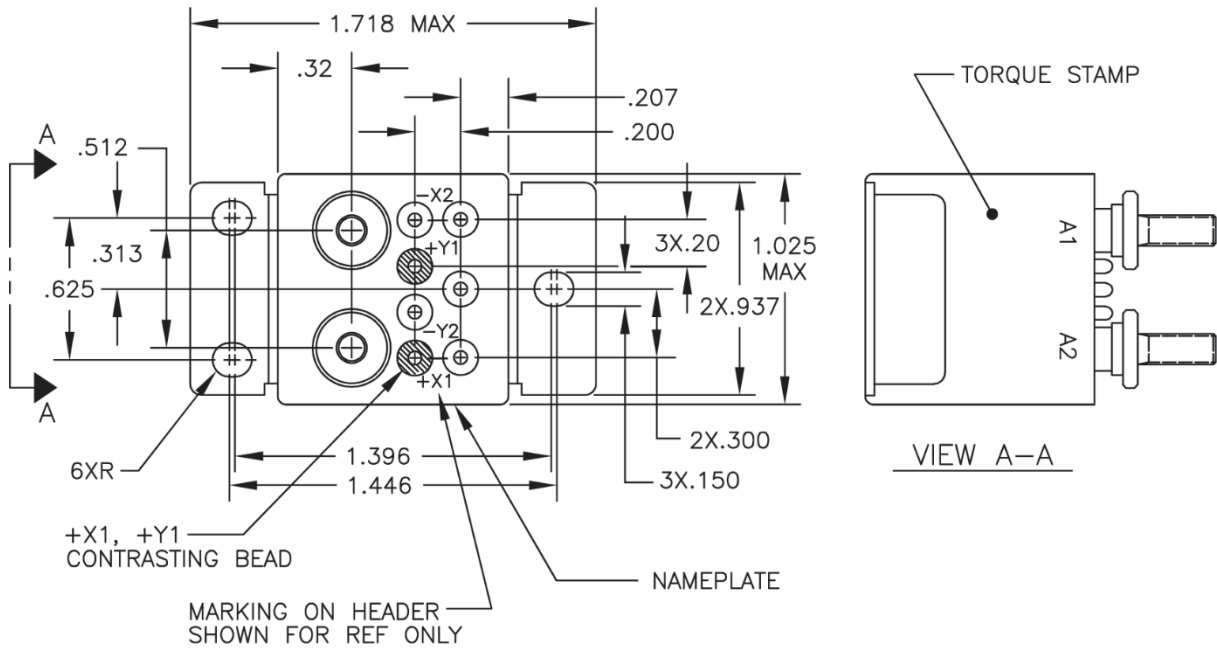
MOUNTING STYLE J



Dimensions in inch
Tolerances, unless otherwise specified
XXX \pm 0.010 in
XX \pm 0.03 in

MOUNTING STYLES

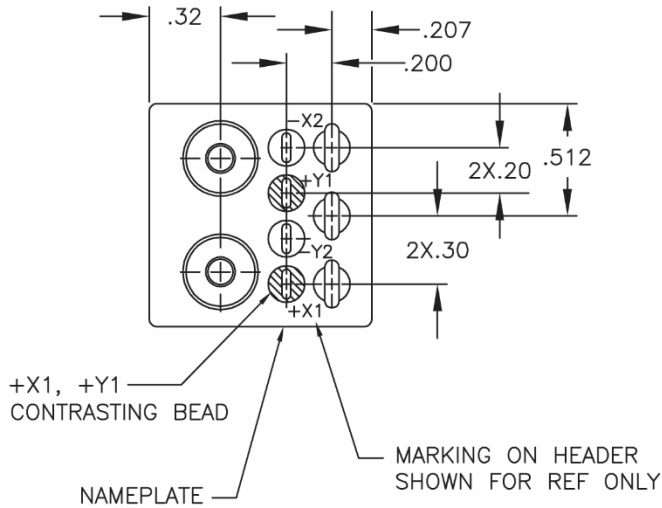
MOUNTING STYLE U



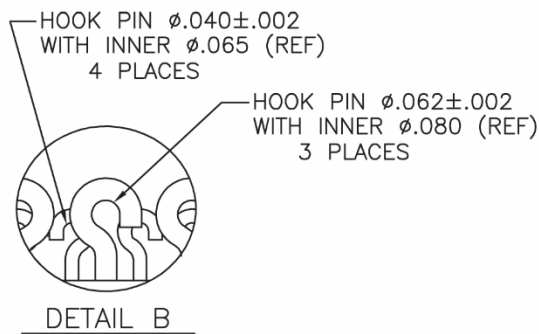
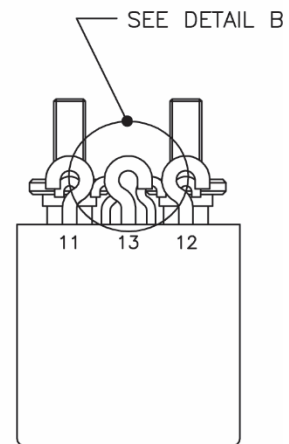
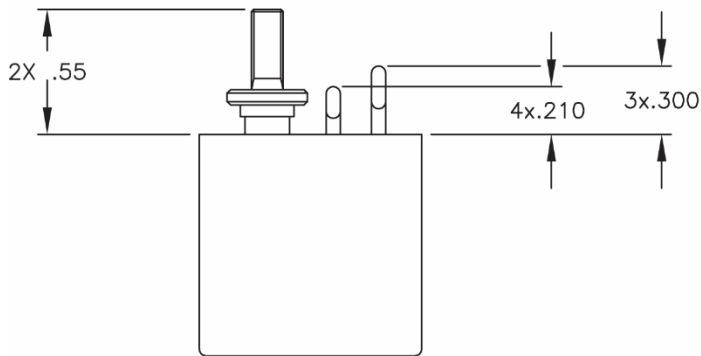
Dimensions in inch
Tolerances, unless otherwise specified
XXX \pm 0.010 in
XX \pm 0.03 in

TERMINAL TYPES

TERMINAL TYPE 2

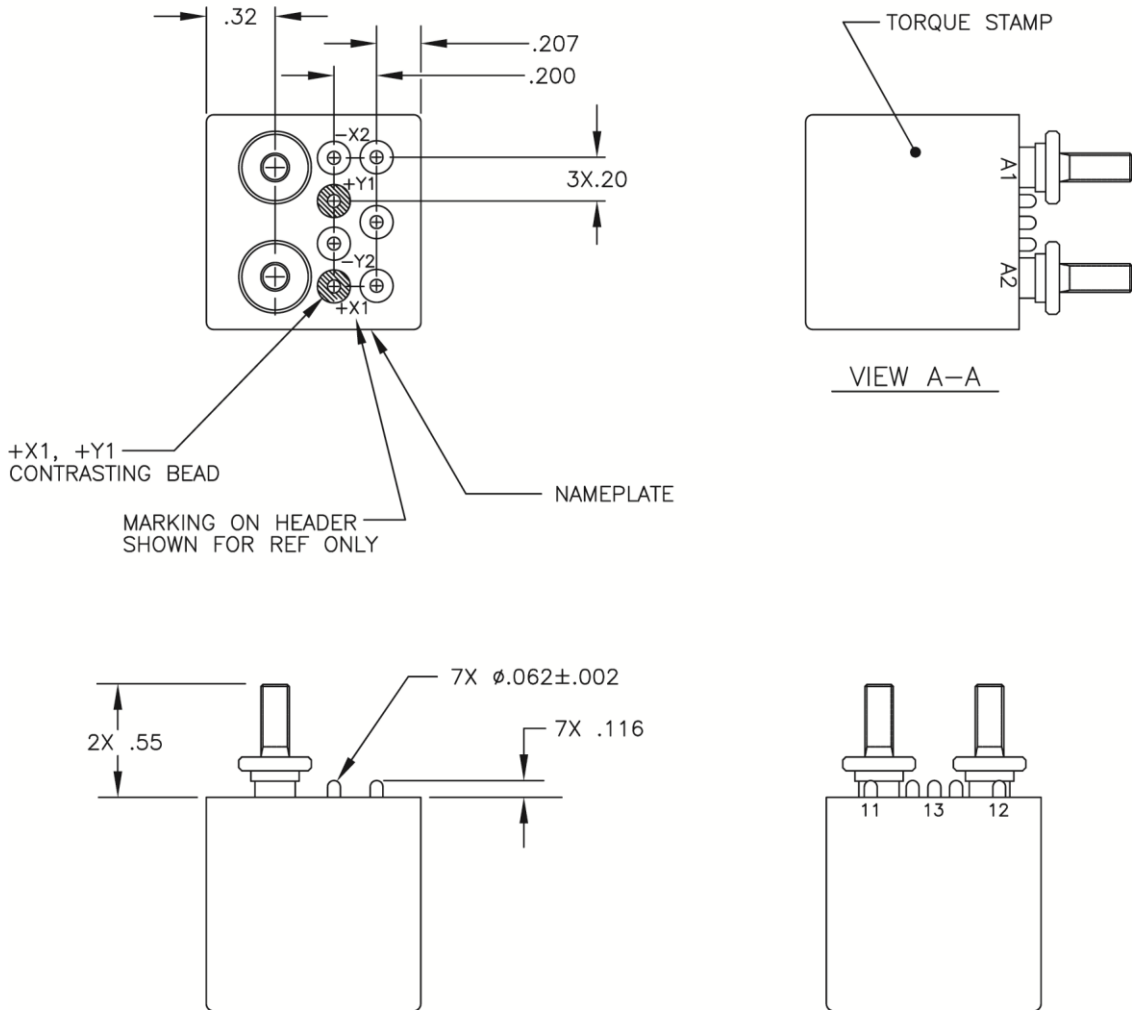


Dimensions in inch
Tolerances, unless otherwise specified
XXX ± 0.010 in
XX ± 0.03 in



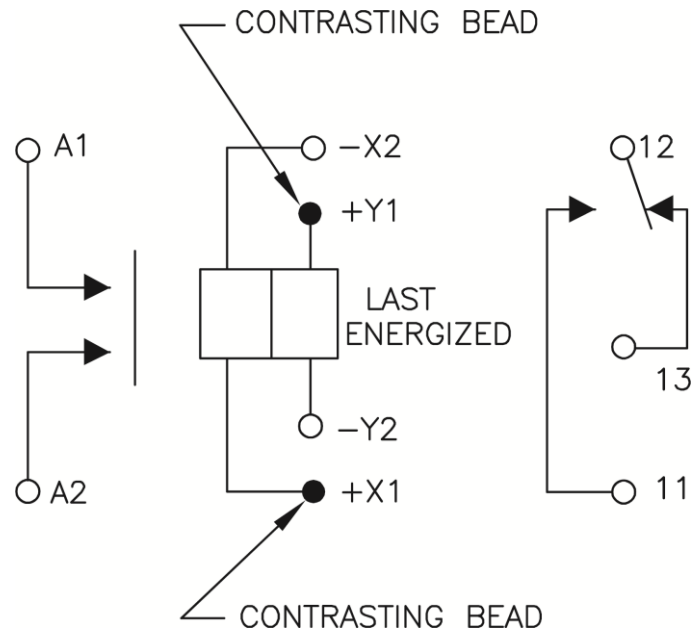
TERMINAL TYPES

TERMINAL TYPE 1



Dimensions in inch
Tolerances, unless otherwise specified
XXX ± 0.010 in
XX ± 0.03 in

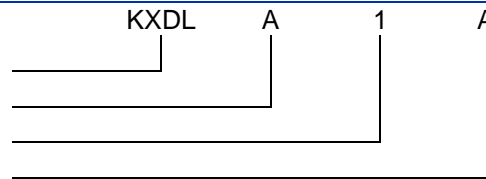
SCHEMATIC DIAGRAM



NUMBERING SYSTEM

Basic series designation

1. Mounting styles
2. Terminal types
3. Coil voltage



NOTES

1. No contact opening in excess of 10 microseconds or closing in excess of 1 microsecond on main contacts no contact opening more than 100 microseconds on auxiliary contacts
2. Indicates nickel plated body & temp range of -65 °C to +85 °C

For any inquiries, please contact your local sales representative: leachcorp.com