



Applicable sockets:
SO-1063-9033/9034

Application Notes:
002
007
023

• All weld construction

• Contact arrangement

1 PDT

• Designed to the performance standards of

MIL-PRF-83536

PRINCIPLE TECHNICAL CHARACTERISTICS

• Contacts rated at

115 Vac 60Hz

• Weight

0.1 lbs. max

• Dimensions

1.01in x 0.51in x 1.12in

• Special models available upon request

• Hermetically sealed, corrosion resistant metal can

CONTACT ELECTRICAL CHARACTERISTICS

| Contact rating per pole and load type [1] | Load current in Amps |
|---|------------------------------------|
| | 115 Vac, 60 Hz, 1Ø (CASE GROUNDED) |
| Resistive | 10 |
| Inductive | 10 |
| Motor | 8 |
| Lamp | 4 |
| Overload | 20 |
| Rupture | N/A |

COIL CHARACTERISTICS (Vdc/Vac)

| CODE | E | F | J | K |
|--|----------|----------|-------------|-------------|
| | (400 Hz) | (400 Hz) | (50/400 Hz) | (50/400 Hz) |
| Nominal operating voltage | 28 | 115 | 28 | 115 |
| Maximum operating voltage | 30 | 122 | 30 | 122 |
| Maximum pickup voltage | | | | |
| - Cold coil at +125° C | 22 | 90 | 23 | 95 |
| - During high temp test at +125° C | 24.4 | 95.4 | 24.6 | 100 |
| - During continuous current test at +125° C | 25.6 | 103.5 | 25.9 | 105 |
| Maximum drop-out voltage | 10 | 30 | 10 | 30 |
| Coil resistance $\Omega \pm 10\%$ at +25° C or max coil current (AMPS) at +25° C | .240 A | .040 A | .100 A | .024 A |

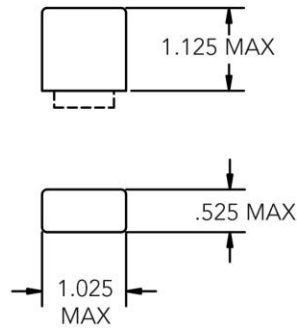
GENERAL CHARACTERISTICS

| | |
|--|--|
| Temperature range | -70°C to +125°C |
| Minimum operating cycles (life) at rated load | 25,000 |
| Minimum operating cycles (life) at 25% rated load | 100,000 |
| Dielectric strength at sea level | |
| - All circuits to ground and circuit to circuit | 1250 Vrms |
| - Coil to ground and coil to coil | 1000 Vrms |
| Dielectric strength at altitude 80,000 ft | 500 Vrms [2] |
| Insulation resistance | |
| - Initial (500 Vdc) | 100 M Ω min |
| - After environmental tests (500 Vdc) | 50 M Ω min |
| Sinusoidal vibration (A, D and J mounting) | 0.12 d.a. / 10 to 70 Hz 30G / 70 to 3000 Hz |
| Random vibration | |
| - Applicable specification | MIL-STD-202 |
| - Method | 214 |
| - Test condition - A, D and J mounting | 1G (0.4G ² /Hz, 50 to 2000 Hz) |
| - Duration | 15 minutes each plane |
| Shock (A, D and J mounting) | 200G / 6 ms |
| Maximum contact opening time under vibration and shock | 10 μ s |
| Operate time at nominal voltage - Series JSA @ 25°C | 15 ms max |
| Release time at nominal voltage - Series JSA @ 25°C | 50 ms max |
| Contact make bounce at nominal voltage @ 25°C | 1 ms max |

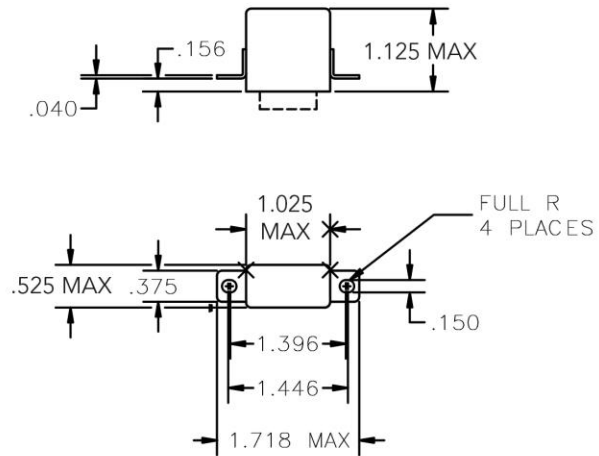
Unless otherwise noted, the specified temperature range applies to all relay characteristics.

MOUNTING STYLES

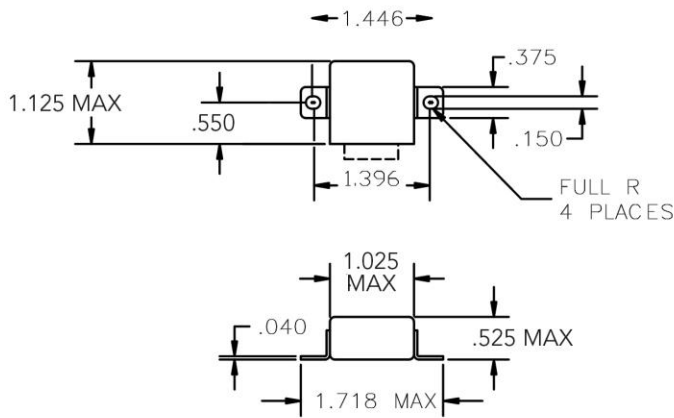
Dimensions in inches
Tolerances, unless otherwise specified, ± 0.03 in



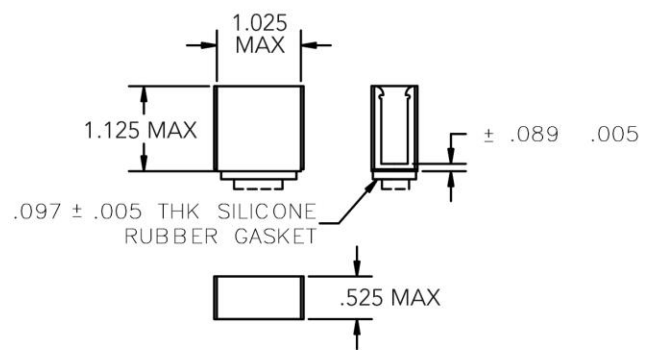
MOUNTING STYLE A



MOUNTING STYLE D



MOUNTING STYLE J

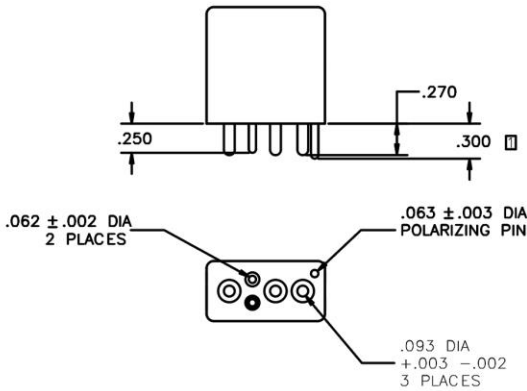


MOUNTING STYLE W

FOR USE WITH TRACK MOUNT SYSTEM. NOTE: TRACK SYSTEM NOT AVAILABLE FROM LEACH.

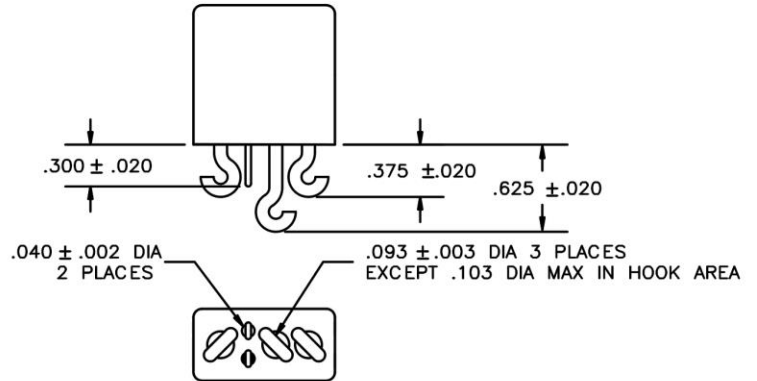
Dimensions in inches
Tolerances, unless otherwise specified, ± 0.03 in

TERMINAL TYPES

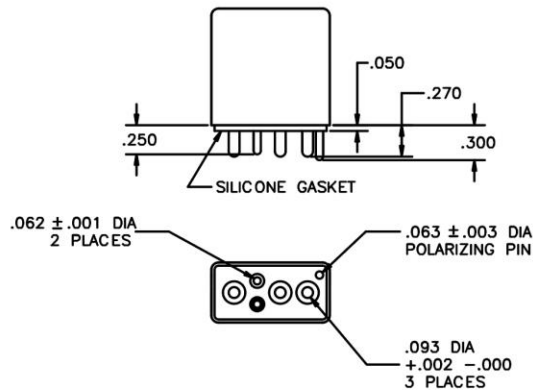


CONTACT ROBISON ELECTRONICS, SAN LUIS OBISPO, CA. FOR INSULATOR PART NUMBER.

TERMINAL TYPE 1
FINISH:
CASE—PAINTED LEACH BLUE
TERMINALS—TIN/LEAD



TERMINAL TYPE 2
FINISH:
CASE—PAINTED LEACH BLUE
TERMINALS—TIN/LEAD

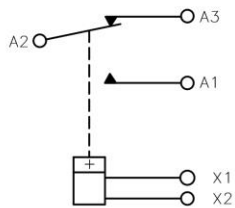


TERMINAL TYPE 4
FINISH:
CASE—PAINTED LEACH BLUE
TERMINALS—GOLD PLATE POLARIZING PIN—TIN/LEAD

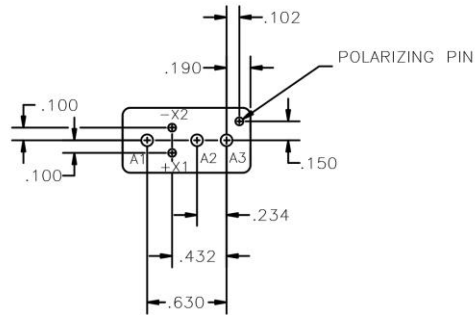
Dimensions in inches
Tolerances, unless otherwise specified, ± 0.03 in

DIAGRAMS

SCHEMATIC DIAGRAM

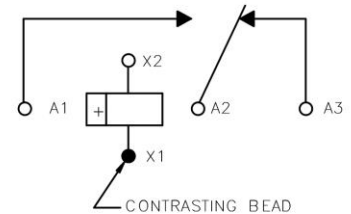


STANDARD TERMINAL LAYOUT



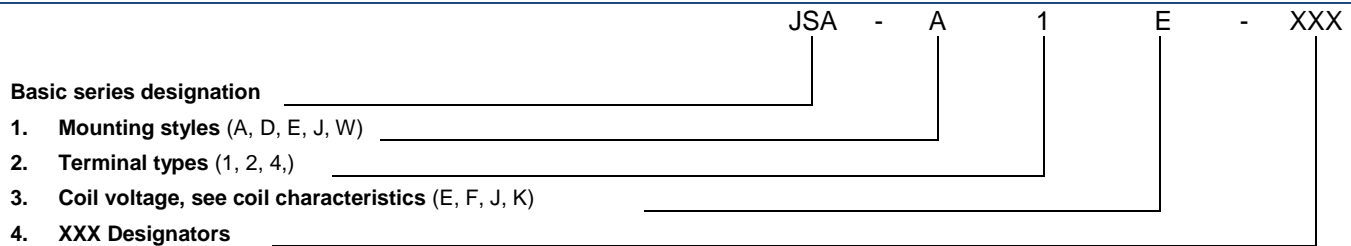
Bottom View

WIRING DIAGRAM



STANDARD TOLERANCE: .xx= ±.010
[1] COIL POLARITY NOT APPLICABLE TO AC VERSIONS.

NUMBERING SYSTEM



NOTES

- Standard Intermediate current test applicable.
- 500 Vrms with silicone gasket compressed, 350 Vrms all other conditions.
- Meets the general requirements of but not qualified to MIL-PRF-83536.
- Special models available: dry circuit, established reliability testing, etc.

For any inquiries, please contact your local sales representative: leachcorp.com