

# OTTO®

## A Tough Grip with a Soft Touch

### Build Your Own

OTTO's ergonomically designed Contour Grip™, now available in a soft touch version, is customizable so you can create your own switch configurations on the front, side and back.

Virtually any OTTO switch can be used in the Contour Grip™ including Hall effect and electromechanical switches like OTTO's HTW series thumbwheel switches, K series rocker switches, P and HP series pushbutton switches and T series toggle switches. This means that you can build your own grip based on application specific needs. Both left- and right-handed versions are available.

The Contour Grip's ergonomic design was created with feedback from experts in the field including machine operators who tested it in a virtual reality environment. The shape was refined after multiple modifications to come up with the final user- friendly version. The design minimizes muscle strain in the arms and wrists allowing for extended use with minimal fatigue.

The grip is made to withstand harsh environments and can be used in construction, agriculture, forestry and industrial applications.

### Contour Grip™ Key Features:

- Ergonomic design.
- Customizable switch configurations on the front, side and back.
- Can include virtually any OTTO switch
- Available in left and right-handed
- Tested for harsh environments
- Great for construction, agriculture, forestry & industrial applications
- Optional soft touch version



Right-Handed Grip Shown

Front View  
(with Joystick)



Back View

Proudly Distributed by



AVIA-DYNAMICS CORP.

350 Cortez Circle  
Camarillo, CA  
800-421-AVIA (2842)  
Ph. 805-987-6156  
[www.aviadynamics.com](http://www.aviadynamics.com)

# A Tough Grip with a Soft Touch

Virtually any OTTO switch can be used in the Contour Grip™



Side View

Some examples include:



Electromechanical Switches

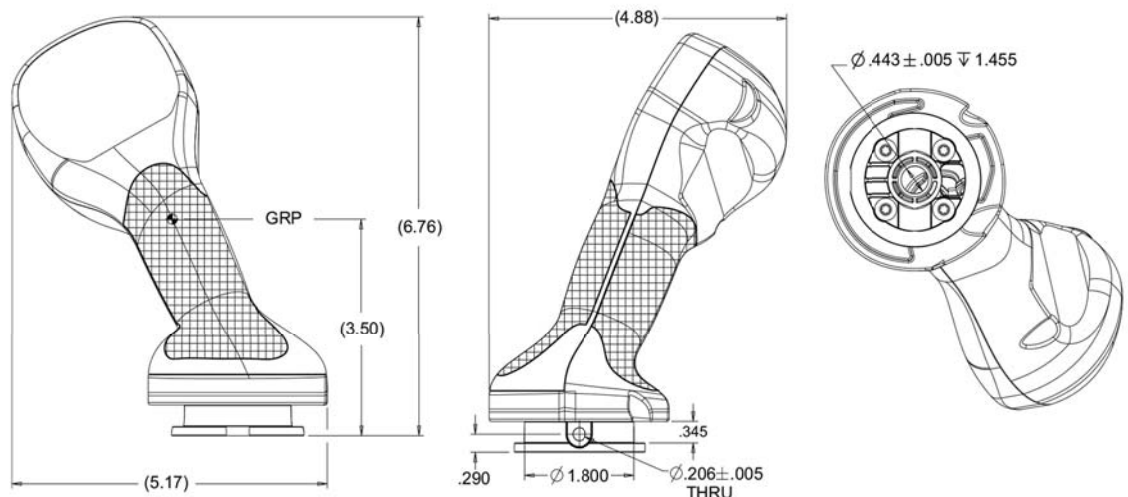


Left-Handed Grip



Hall Effect Switches

## Contour Grip™ Dimensions Right-Handed Example



AVIA-DYNAMICS CORP.

350 Cortez Circle  
Camarillo, CA  
800-421-AVIA (2842)

Ph. 805-987-6156  
www.aviadynamics.com