

**COMPAERO**

## CPTB SERIES EMI/RFI BANDS

Stainless Steel Termination Bands



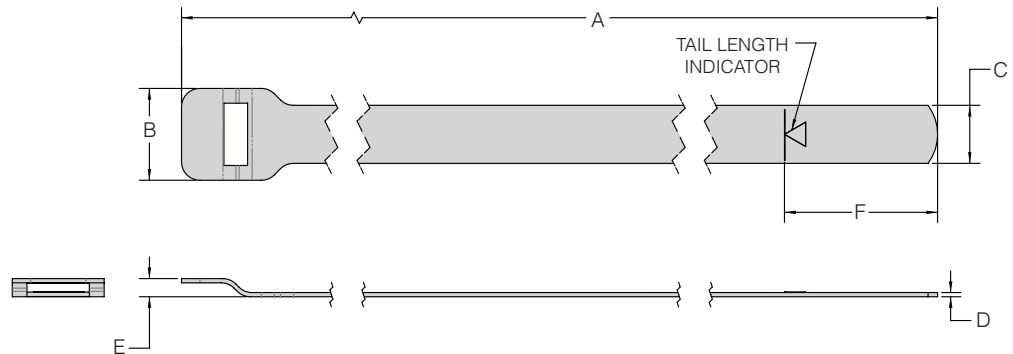
# CPTB SERIES EMI/RFI BANDS

## Stainless Steel Termination Bands



Compaero supply and manufacture a comprehensive range of stainless steel termination bands to be used in a wide variety of interconnect systems. Qualified to the AS85049 standard, they provide a reliable and cost effective termination solution, available in both flat and pre-coiled versions.

### CPTB-1 Stamped Buckle Option



PART NUMBER	A ± .060" / 1.52mm	B ± .031" / 0.79mm	C ± .010" / 0.26mm	D REF	E REF	F REF
CPTB-111*	14.25 361.95	0.350 8.89	0.250 6.35	0.020 0.51	0.130 3.30	2.031 51.59
CPTB-112	18.00 457.2	0.350 8.89	0.250 6.35	0.020 0.51	0.130 3.30	2.031 51.59
CPTB-121*	8.125 206.38	0.195 4.95	0.120 3.05	0.015 0.38	0.053 1.35	2.031 51.59
CPTB-122	14.25 361.95	0.195 4.95	0.120 3.05	0.015 0.38	0.053 1.35	2.031 51.59

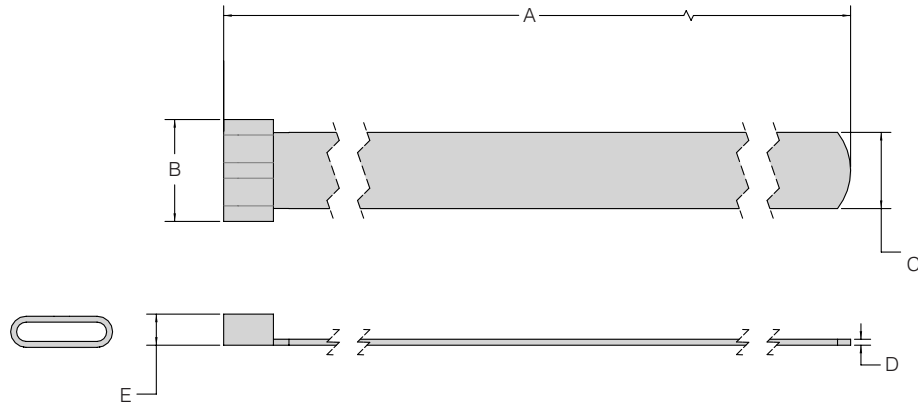
\*Available as qualified M85049/128 product - see overleaf for details

# CPTB SERIES EMI/RFI BANDS

Stainless Steel Termination Bands



## CPTB-2 Welded Buckle Option



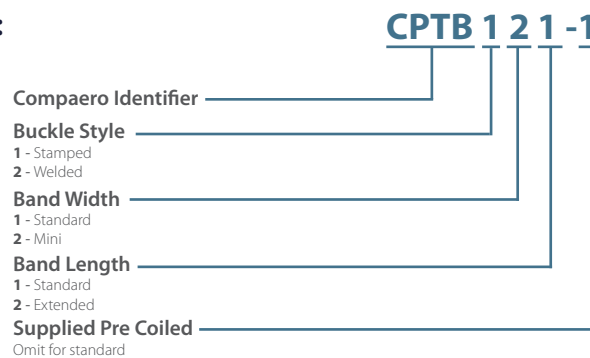
PART NUMBER	A ± .060" / 1.52mm	B ± .031" / 0.79mm	C ± .010" / 0.26mm	D REF	E REF
CPTB-211*	14.00 355.60	0.328 8.33	0.245 6.22	0.019 0.50	0.100 2.54
CPTB-212	18.00 457.20	0.328 8.33	0.245 6.22	0.019 0.50	0.100 2.54
CPTB-221*	9.50 241.30	0.198 5.03	0.118 2.99	0.015 0.40	0.080 2.03
CPTB-222	14.25 361.95	0.198 5.03	0.118 2.99	0.015 0.40	0.080 2.03

\*Available as qualified M85049/128 product - see overleaf for details

### Notes:

1. Optional part marking available - contact sales team for details
2. Material: 300 series stainless steel, passivated

### Part Numbering System:



# CPTB SERIES EMI/RFI BANDS

## Stainless Steel Termination Bands



Compaero bands are qualified to the AS85049/128 specification, listed in the table below where applicable. Please order as M85049/128 where possible, or contact our sales team with any questions.

Description	Compaero	M85049/128	Glenair	Band-It	Sunbank
Stamped buckle standard band Straight	CPTB-111	-3	600-052	A10086/ A10089	-
Stamped buckle standard band Pre coiled	CPTB-111-1	-4	600-052-1	A10099/ A10088	-
Stamped buckle standard band Extended straight	CPTB-112	-	600-090	A11086/ A11089	-
Stamped buckle standard band Extended & pre coiled	CPTB-112-1	-	600-090-1	A1109/ A11088	-
Stamped buckle mini band Straight	CPTB-121	-7	600-057	A31189	-
Stamped buckle mini band Pre coiled	CPTB-121-1	-8	600-057-1	A31188	-
Stamped buckle mini band Extended straight	CPTB-122	-	600-083	A31089	-
Stamped buckle mini band Extended & pre coiled	CPTB-122-1	-	600-083-1	-	-
Welded buckle standard band Straight	CPTB-211	-1	-	-	S3175F-2
Welded buckle standard band Pre coiled	CPTB-211-1	-2	-	-	S3175-2
Welded buckle standard band Extended straight	CPTB-212	-	-	-	-
Welded buckle standard band Extended & pre coiled	CPTB-212-1	-	-	-	-
Welded buckle mini band Straight	CPTB-221	-5	-	-	S3175-3
Welded buckle mini band Pre coiled	CPTB-221-1	-6	-	-	S3175-3C
Welded buckle mini band Extended straight	CPTB-222	-	-	-	S3175-4
Welded buckle mini band Extended pre coiled	CPTB-222-1	-	-	-	S3175-4C

All information is believed to be reliable. Readers should independently evaluate the suitability of each product for their application. Compaero makes no warranties as to the accuracy or completeness of the information herein and disclaims any liability regarding its use. Specifications are subject to change without notice. Compaero reserves the right to make changes, without notification to the customer, to processing or materials that do not affect compliance with any applicable specification.