



Optical Encoders

SERIES 60AD

Optical Encoder with integrated Joystick and Pushbutton

FEATURES

- Dome contacts provide excellent tactile feedback in all directions
- Choices of actuation force, cable length and termination
- Customized solutions available

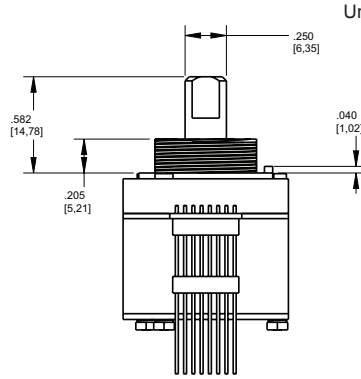
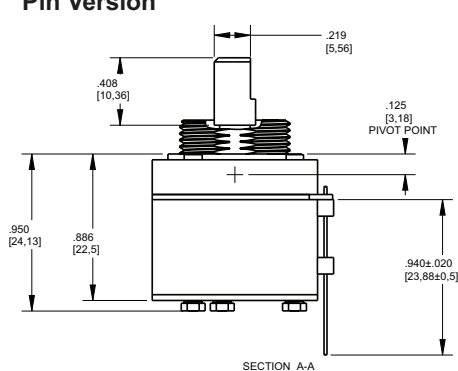
APPLICATIONS

- Aerospace
- Automotive
- Medical devices



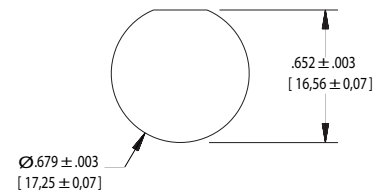
DIMENSIONS in inches (and millimeters)

Pin Version

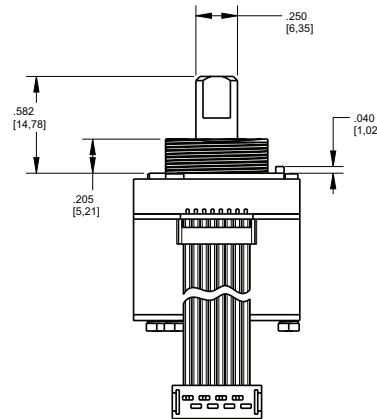
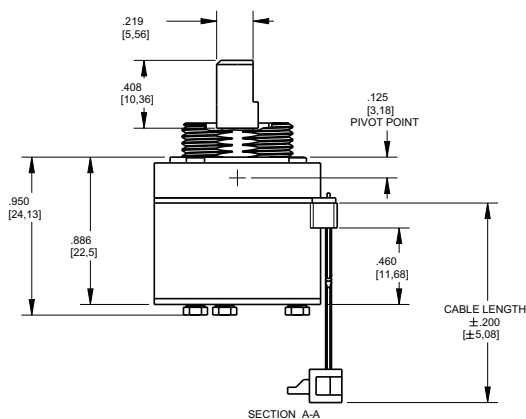


Unless otherwise specified, standard tolerance are:
 Linear $\pm .025$
 Diameter $\pm .010$
 Angle $\pm 2.0^\circ$

Recommended Panel Cut Out



Cable Connector Version



Connector: Amp 215083-8
 Mating Connector: Amp 215079-8

ORDERING INFORMATION

60AD18-4-M-060S

Angle of Throw: 18= 18° or 20 positions
 Joystick: 4= Four contacts & directions;
 8= Four contacts & eight directions

Termination: 0.050" center P= pin header; C= connector; S= stripped cable
 Cable Length: 020 thru 250 in 1/2 inch increments, 060= 6.0 inch cable
 Force Option: (see table) L=low, M=medium, H=high

	OPTION		
	L	M	H
1 ACTUATION FORCE (JOYSTICK) [g]	550±200	725±200	1050±250
2 ACTUATION FORCE (PUSHBUTTON) [g]	625±200	800±200	1100±250
3 AVERAGE ROTATIONAL TORQUE [in-oz]	1.50±0.75	3.50±1.75	5.00±2.00

For prices and custom configurations, contact a local sales office, an authorized distributor, or Grayhill's sales department.

JOYSTICK OPERATION + ENCODER WAVEFORM AND TRUTH TABLE Standard Quadrature 2-Bit Code

SWITCH SCHEMATIC

***EXTERNAL PULL-UP RESISTORS REQUIRED FOR OPERATION (2.2k Ω).**

JOYSTICK POSITION DIAGRAM

*** INDICATES DIRECTION OF D-FLAT ON BUSHING**

ENCODER WAVEFORM (C.W. ROTATION)

ENCODER TRUTH TABLE (C.W. ROTATION)

POSITION	OUTPUT A	OUTPUT B
#1	○	○
#2	○	○
#3	○	○
#4	○	○

○ INDICATES LOGIC-HIGH
○ INDICATES LOGIC-LOW
CODE REPEATS EVERY FOUR POSITIONS

JOYSTICK TRUTH TABLE

POSITION	X OUTPUT	Y OUTPUT
1	NEUTRAL	HIGH
2	HIGH	HIGH
3	HIGH	NEUTRAL
4	HIGH	LOW
5	NEUTRAL	LOW
6	LOW	LOW
7	LOW	NEUTRAL
8	LOW	HIGH
9	NEUTRAL	NEUTRAL

SPECIFICATIONS

Rotary Specifications

Operating Voltage: 5.00 \pm 0.25 Vdc
Supply Current: 20mA max at 5 Vdc
Minimum Sink Current: 2.0mA at 5 Vdc
Power Consumption: 100 mW max at 5 Vdc
Output: Open collector phototransistor, 2.2k Ω external pull-up resistors are required
Output Code: 2-Bit quadrature, channel A leads channel B by 90° in clockwise rotation
Logic Output Characteristics:
 High: No less than 3.5 Vdc
 Low: No greater than 1.0 Vdc
Mechanical Life: 1 million rotational cycles (through all positions and a full return)
Rotational Torque: see table
Maximum Rotational Speed: 100 RPM
Mounting Torque: 15 in-lbs. maximum
Shaft Push/Pull Out Force: 45 lbs min.
Shaft Side-Load Force: 20 lbs. max.
Terminal Strength: 15 lbs pull-out force min.

Pushbutton Specifications

Rating: 10 mA at 5 Vdc resistive
Contact Resistance: less than 10 ohms
Contact Bounce: < 4ms make, <10 ms break
Mechanical Life: 1 million actuations min.
Actuation Force: see table
Pushbutton Travel: .027 \pm .010 in.

Joystick Specifications

Supply Current: 5mA max
Output Code: 2-Bit
Logic Output Characteristics:
 Neutral Position: 2.5 \pm 0.5 Vdc
 High-State Position: >4.5 Vdc
 Low-State Position: <0.5 Vdc
Mechanical Life: 500k cycles min.
Actuation Force: see table
Angle of Throw: 3.5° +2°/-1°

Environmental Ratings

Operating Temp. Range: -40°C to 85°C
Storage Temp. Range: -55°C to 100°C
Relative Humidity: 96 hours at 90-95% humidity at 40°C
Vibration: Harmonic motion with amplitude of 15g, within 10 to 2000 Hz for 12 hours
Mechanical Shock:
 Test 1: 100g for 6ms half-sine wave with a velocity change of 12.3 ft/s
 Test 2: 100g for 6ms sawtooth wave with a velocity change of 9.7 ft/s

Materials and Finishes

Shaft: Nylon 6/10
Solder: 95.5% SN, 3% AG, 0.5% CU

This product series is ROHS Compliant.

OPTIONS

Contact Grayhill for custom terminations, rotational torque, number of positions, shaft configurations, and resolutions.